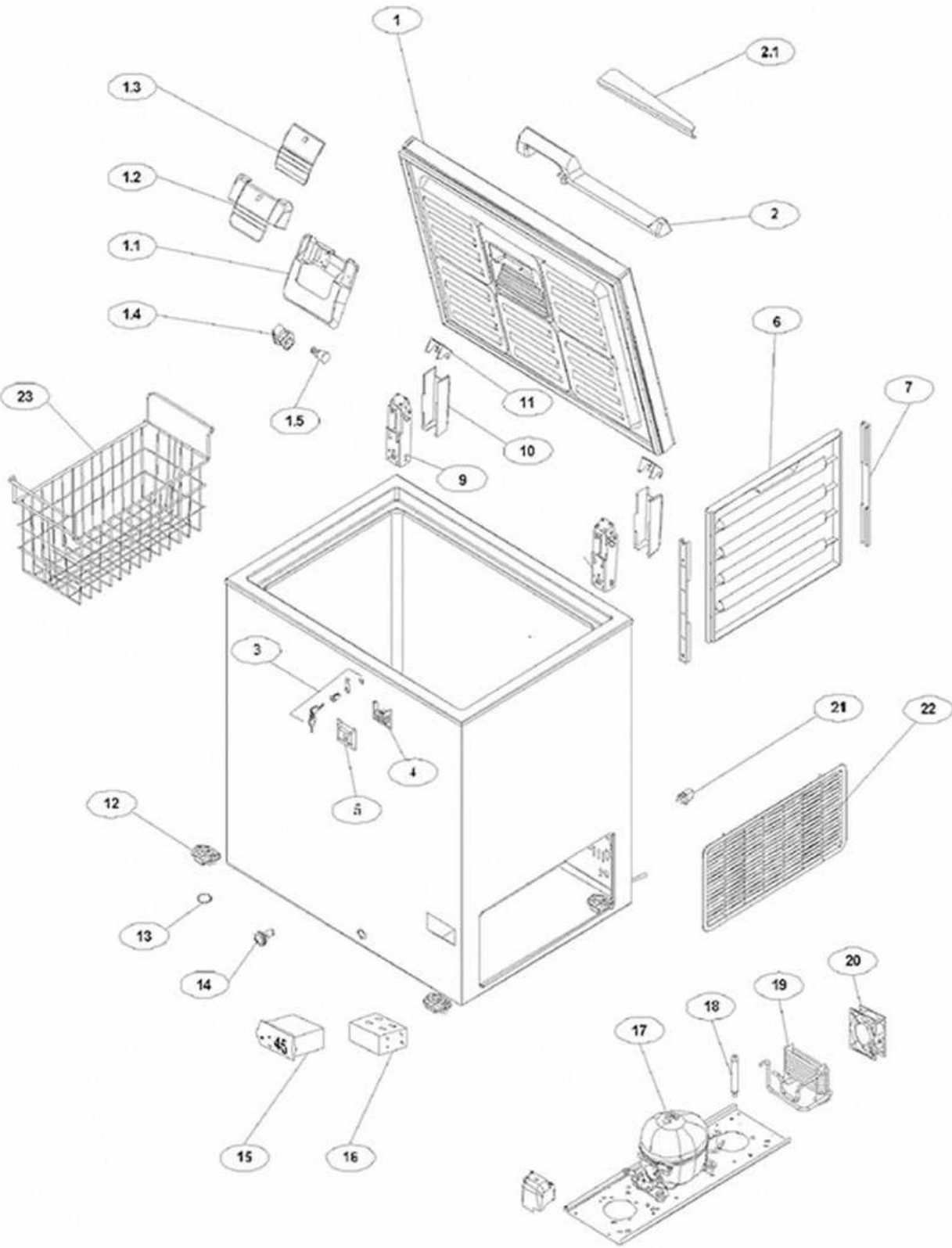


# RESERVDELAR

## TF SE10-45-P



Pos.No.	Part.No.	Description
00001	3110720110	LID COMPLETE
00002	3114611177	HANDLE BASE
00003	3114909002	LOCK GROUP COMPLETE
00004	3114611193	BASE FOR LOCK
00005	3114611194	COVER FOR LOCK
00006	3114611181	SEPERATOR
00007	3114611188	GUIDE FOR SEPERATOR
00009	3121900002	SPRING HINGE
00010	3114611039	COVER FOR HINGE (BOTTOM)
00011	3114611040	COVER FOR HINGE (TOP)
00012	3110720116	WHEEL WITH BRAKE
00012	3114800002	DOUBLE WHEEL(50*17*8)
00013	3114611198	INNER DRAIN PLUG
00014	3114611199	OUTER DRAIN PLUG
00015	3117200047	THERMOSTAT CAREL PJEZSNP000K
00016	3112500132	RELAY
00017	2018400073	COMPRESSOR EMT2121U R290
00018	3213000046	FILTER DRIER
00019	3511020017	CONDENSER
00020	2613700247	CONDENSER FAN
00021	3114630231	CLAMP FOR POWER CABLE
00022	3114611219	GRILL FOR COMPRESSOR COMPART.
00023	3215200292	BASKET
001.1	3114610310	TRANSPARENT LIGHT COVER
001.2	3114611183	LID FOR LAMP
001.3	3114611184	ICE SCRAPER
001.4	3123940001	SOCKET FOR LAMP
001.5	3113920007	LAMP 15W
002.1	3114611178	COVER FOR HANDLE