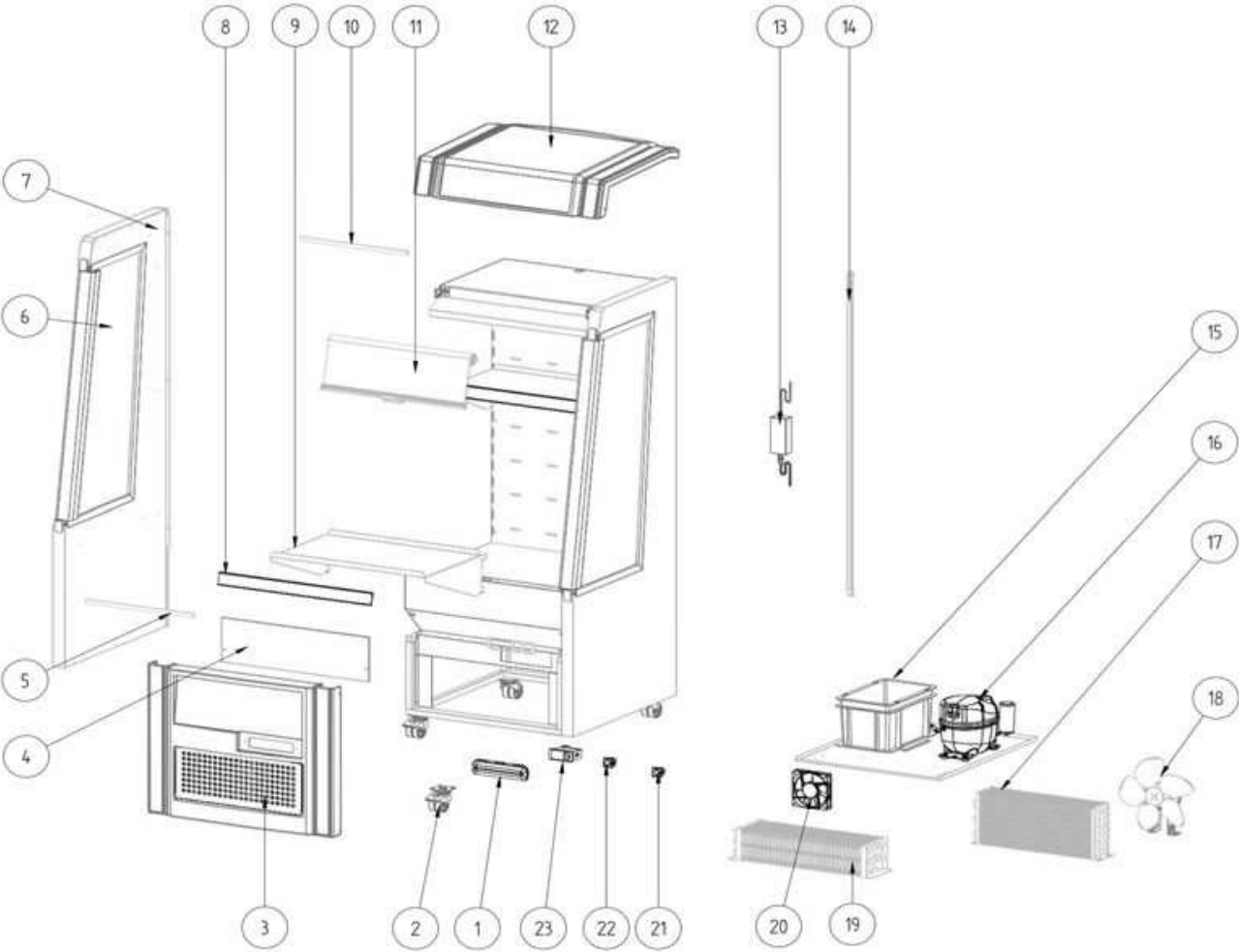


RESERVDELAR

TF ODC60-P



| Pos.No. | Part.No. | Description |
|---------|------------|-----------------------|
| 00001 | 9432005009 | THERMOSTAT PROTECTION |
| 00002 | 9432005021 | CASTOR |
| 00002 | 9432005010 | CASTOR WITH BRAKE |
| 00003 | 9432005006 | METAL FRONT GRILL |
| 00003 | 9432005005 | PLASTIC FRONT GRILL |
| 00004 | 9432005004 | AIR CONDUCTOR |
| 00005 | 9432005045 | BOTTOM LED STRIP |
| 00006 | 9432005002 | LEFT GLASS SIDE |
| 00006 | 9432005019 | RIGHT GLASS SIDE |
| 00007 | 9432005026 | RIGHT SIDE PANEL |
| 00007 | 9432005025 | LEFT SIDE PANEL |
| 00008 | 9432005046 | PRICE TAG HOLDER |
| 00009 | 9432005003 | LOWER SHELF |
| 00009 | 9432005022 | UPPER SHELF |
| 00010 | 9432005047 | UPPER LED STRIP |
| 00011 | 9432005017 | NIGHT BLIND |
| 00012 | 9432005018 | TOP PLATE |
| 00013 | 9432005040 | LED POWER SUPPLY |
| 00014 | 9432005039 | VERTICAL LED STRIP |
| 00015 | 9432005013 | EVAPORATION TRAY |
| 00016 | 9432005012 | COMPRESSOR |
| 00017 | 9432005011 | CONDENSER |
| 00018 | 9432005014 | CONDENSER FAN |
| 00019 | 9432005016 | EVAPORATOR |
| 00020 | 9432005015 | EVAPORATOR FAN |
| 00021 | 9432005031 | SWITCH |
| 00022 | 9432005008 | GREEN SWITCH |
| 00023 | 9432005007 | THERMOSTAT |