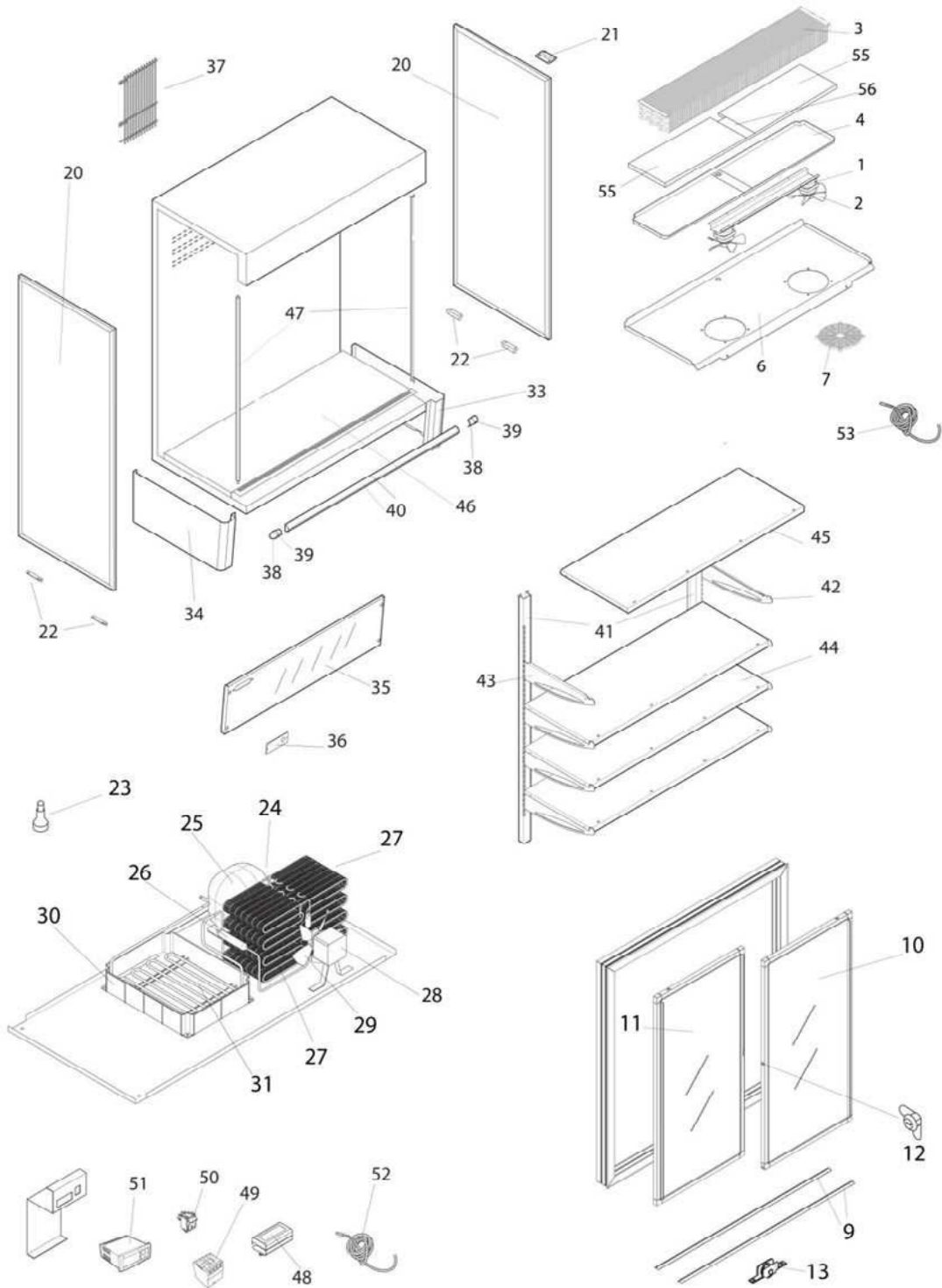


RESERVDELAR

TF MDS1000-P



Pos.No.	Part.No.	Description
00001	1010900001	EVAPORATOR FAN MOTOR
00002	1010900002	EVAPORATOR FAN 200X23°
00003	1010900003	EVAPORATOR
00004	1010900004	WATER TRAY EVAPORATOR
00006	1010900005	EVAPORATOR COVER
00007	1010900006	FAN PROTECTION
00009	1010900007	DOOR GUIDE
00010	1010900008	RIGHT FRONT DOOR
00011	1010900009	LEFT FRONT DOOR
00012	1010900010	LOCK FOR DOOR
00013	1010900011	DOOR ROLLER
00020	1010900012	SIDE GLASS
00021	1010900013	BRACKET HOLDER BACK PROFILE
00022	1010900014	BRACKET LOWER GLASS
00023	1010900015	FOOT M12
00024	1010900016	COMPRESSOR START SET
00025	1010900017	COMPRESSOR NEK6213U R290
00026	1010900018	FILTER ENTRY 6.5 OUT 6.5 GR30
00027	1010900019	WIRE CONDENSER
00028	1010900020	CONDENSER FAN MOTOR
00029	1010900021	CONDENSER FAN 254X27°
00030	1010900022	EVAPORATING WATER TRAY
00031	1010900023	WATER TRAY PIPE COIL
00033	1010900024	RIGHT PANEL
00034	1010900025	LEFT PANEL
00035	1010900026	BOTTOM PANEL
00036	1010900027	THERMOSTAT COVER
00037	1010900028	GRILL
00038	1010900029	BUMPER ENDING
00039	1010900030	BUMPER PLUG
00040	1010900031	BUMPER
00041	1010900032	SHELF BRACKET RAIL
00042	1010900033	RIGHT BRACKET SHELF
00043	1010900034	LEFT BRACKET SHELF
00044	1010900035	SHELF
00045	1010900036	PRICE HOLDER PROFILE
00046	1010900037	BOTTOM SHELF
00047	1010900038	LED LAMP 12W L1200 24V
00048	1010900039	POWER SUPPLY LED 24V
00049	1010900040	RELAY
00050	1010900041	SWITCH
00051	1010900042	DIGITAL THERMOSTAT EV3X21N7
00052	1010900043	PROBE NTC L=2000 PVC
00053	1010900044	PROBE NTC L=3000 BLUE
00055	1010900045	EVAPORATOR TRAY RIGHT/LEFT
00056	1010900046	EVAPORATOR TRAY FOAM CENTER