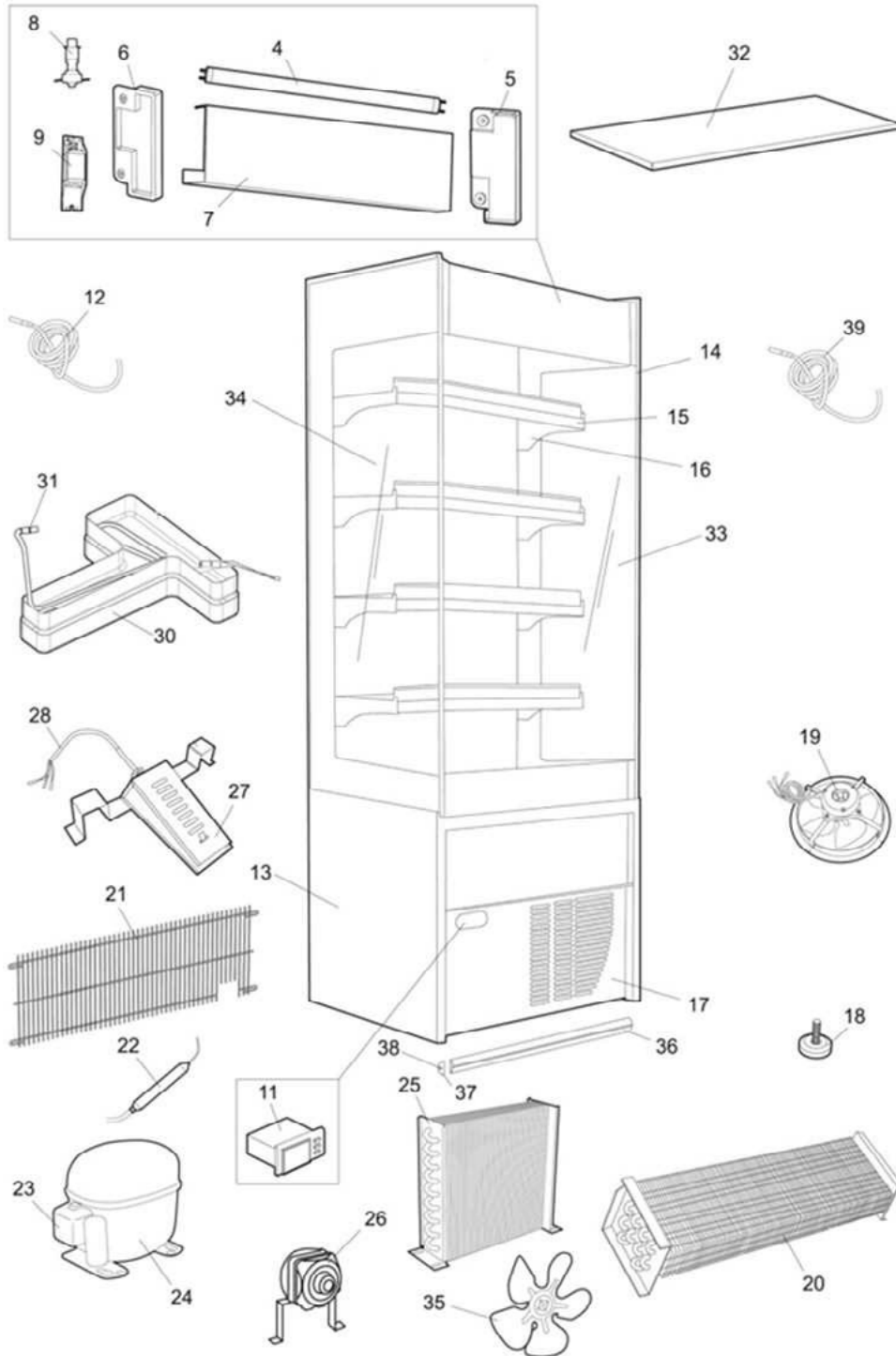


TF MD600X-SLIM



Pos.No.	Part.No.	Description
00004	3800001100	LED LAMP
00005	3800001241	CANOPY RIGHT SIDE BLACK
00006	3800001242	CANOPY LEFT SIDE BLACK
00007	3800001243	CANOPY OPAL PLATE
00008	3800001203	LIGHT SWITCH
00009	3800001204	LED POWER SUPPLY 24 VDC
00011	7110000391	THERMOSTAT XR02CX, 20 A RELAY
00012	7110000397	PROBE NTC DIXELL/CAREL 10 Kohm
00015	3800001244	SHELF SS304
00016	3800001246	SHELF BRACKET
00017	3800001247	BOTTOM GRILL HEXAGONAL
00018	3800001208	ADJUSTABLE FEET M10X45
00019	3800001209	EVAPORATOR FAN
00020	3800001210	EVAPORATOR
00021	3800001248	COMPRESSOR GRILL
00022	3800001104	FILTER DRIER 50 G
00023	3800001212	STARTER KIT FOR NEK6213GK
00024	3800001213	COMPRESSOR NEK6213GK
00025	3800001106	CONDENSER
00026	3800001107	CONDENSER FAN
00027	3800001111	BOILER BRACKET
00028	3800001020	PTC BOILER
00030	3800001124	EVAPORATOR WATER TRAY
00031	3800001110	EVAPORATION COIL
00032	3800001249	BOTTOM SHELF
00033	3800001215	RIGHT SIDE GLASS
00034	3800001216	LEFT SIDE GLASS
00035	3800001102	EVAPORATOR FAN
00036	3800001250	BUMPER BAR BLACK 530 MM
00037	3800001251	BUMPER BAR CORNER BLACK
00038	3800001120	COVER FOR SCREW
00039	7110000397	PROBE NTC DIXELL/CAREL 10 Kohm