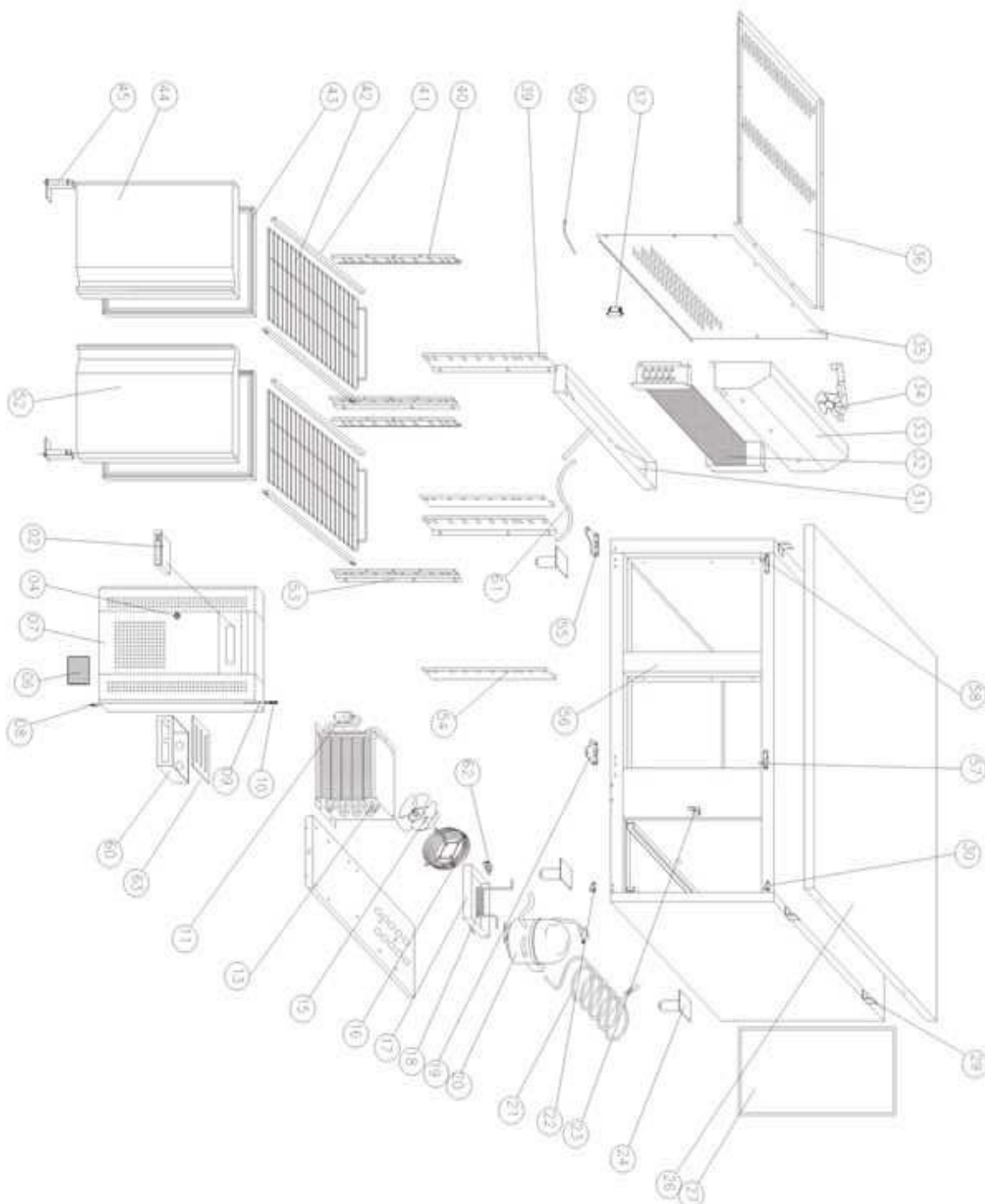
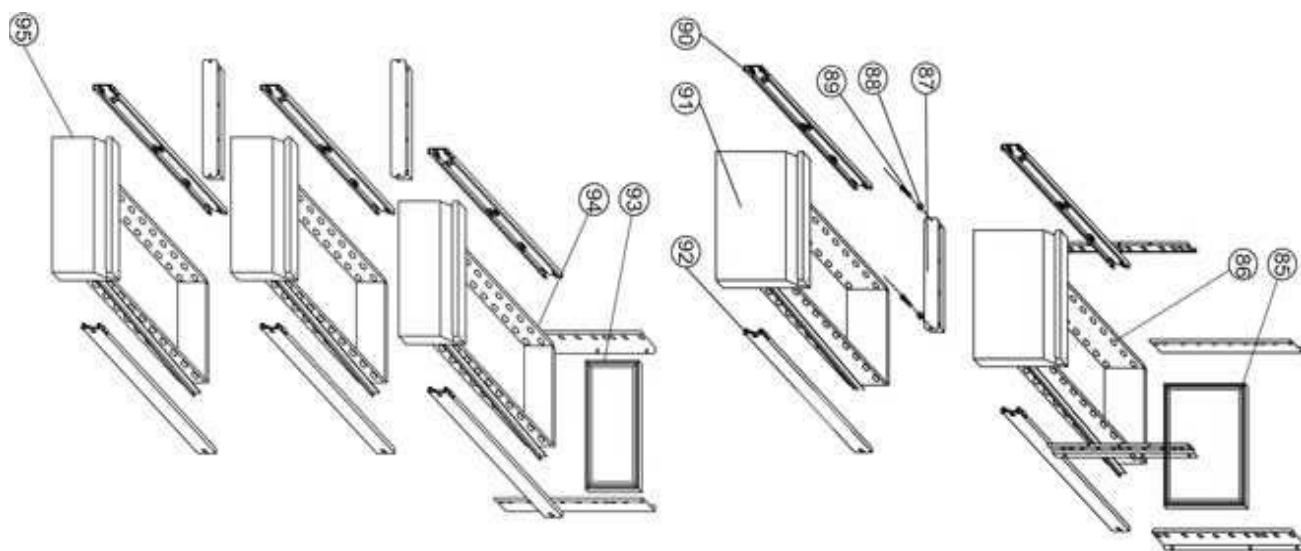


## TF CK7210-I-SP



Pos.No.	Part No	Description
00002	7110000411	THERMOSTAT XW20LRH
00004	7130000816	LOCK WITH KEYS
00006	7150005050	FILTER 175X228
00007	7110000412	FRONT PANEL 2020
00008	7200000705	DOWN HINGE AXIS
00009	7130000817	BUSHING
00010	7130000806	NUT FOR UPPER HINGE
00011	7110006160	FILTER DRIER 20 G
00013	7130000305	CONDENSER FROM 2016
00015	7210002200	CONDENSOR FAN BD01-01/170
00016	7200001010	BASKET GUARD GRILLS
00017	7200000852	WATER BOX
00018	7130001901	EVAPORATE PIPE
00019	7400090012	DOWN HINGE RIGHT
00020	7500005050	COMPRESSOR HPKD190A R600
00021	7110006161	SUCTION PIPE
00022	7110006162	BOTTOM HINGE FOR FRONT PANEL
00023	7130000702	LOCK HOOK
00024	7110000902	LEG 115-170 MM (4 PCS)
00026	7130000799	TOP -SP. BACK
00026	7110006163	TOP WITH SPLASH BACK 2018
00027	7130000703	VENTILATION GRILL BACK
00029	7130000803	BRACKET FOR TOPPLATE
00030	7110006164	TOP HINGE FRONT PANEL
00031	7130000209	EVAPORATOR WATER PAN
00032	7130000201	EVAPORATOR 440x94x269 MM
00033	7110006165	EVAPORATOR FAN SUPPORT
00034	7110000166	EVAPORATOR FAN 2018
00035	7110006167	EVAPORATOR COVER
00036	7110006168	INTERNAL AIR CONDUCTOR
00037	7110000413	SENSOR CLIP
00039	7110005018	BACK RAIL LEFT
00040	7110005021	FRONT RAIL LEFT
00041	7110005601	GUIDES (SET) 550X20X20
00042	7130001000	SHELF 335 X 530
00043	7130000805	GASKET 388 x 598 MM
00044	7110000414	DOOR LEFT 2020
00045	7400090013	SPRING HINGE
00052	7110000415	DOOR RIGHT 2020
00053	7110005022	FRONT RAIL RIGHT
00054	7110005019	BACK RAIL RIGHT
00055	7130000700	DOWN HINGE LEFT
00056	7110006171	DOOR POST
00057	7130000790	TOP HINGE RIGHT 2016
00058	7130000791	TOP HINGE LEFT 2016
00059	7110000397	PROBE NTC DIXELL/CAREL 10 Kohm
00060	7110000416	THERMOSTAT BOX
00061	7110000418	DRAIN PIPE
00062	7110000419	DRAIN PIPE CLIP
00063	7110000417	THERMOSTAT BOX COVER
00085	7110005001	GASKET 2 DRAWER, CK
00086	7110005015	DRAWER BODY 220 MM
00087	7110005005	BRIDGE 70 mm
00088	7110005009	WASHER M4 S/S
00089	7110005008	SCREW M4 S/S
00090	7110005007	GUIDE LEFT
00091	7110005003	FRONT 2 DRAWERS, CK
00092	7110005006	GUIDE RIGHT
00093	7110005103	GASKET 3 DRAWER, CK
00094	7110005030	DRAWER BODY 145 MM
00095	7110005102	FRONT 3 DRAWER, CK