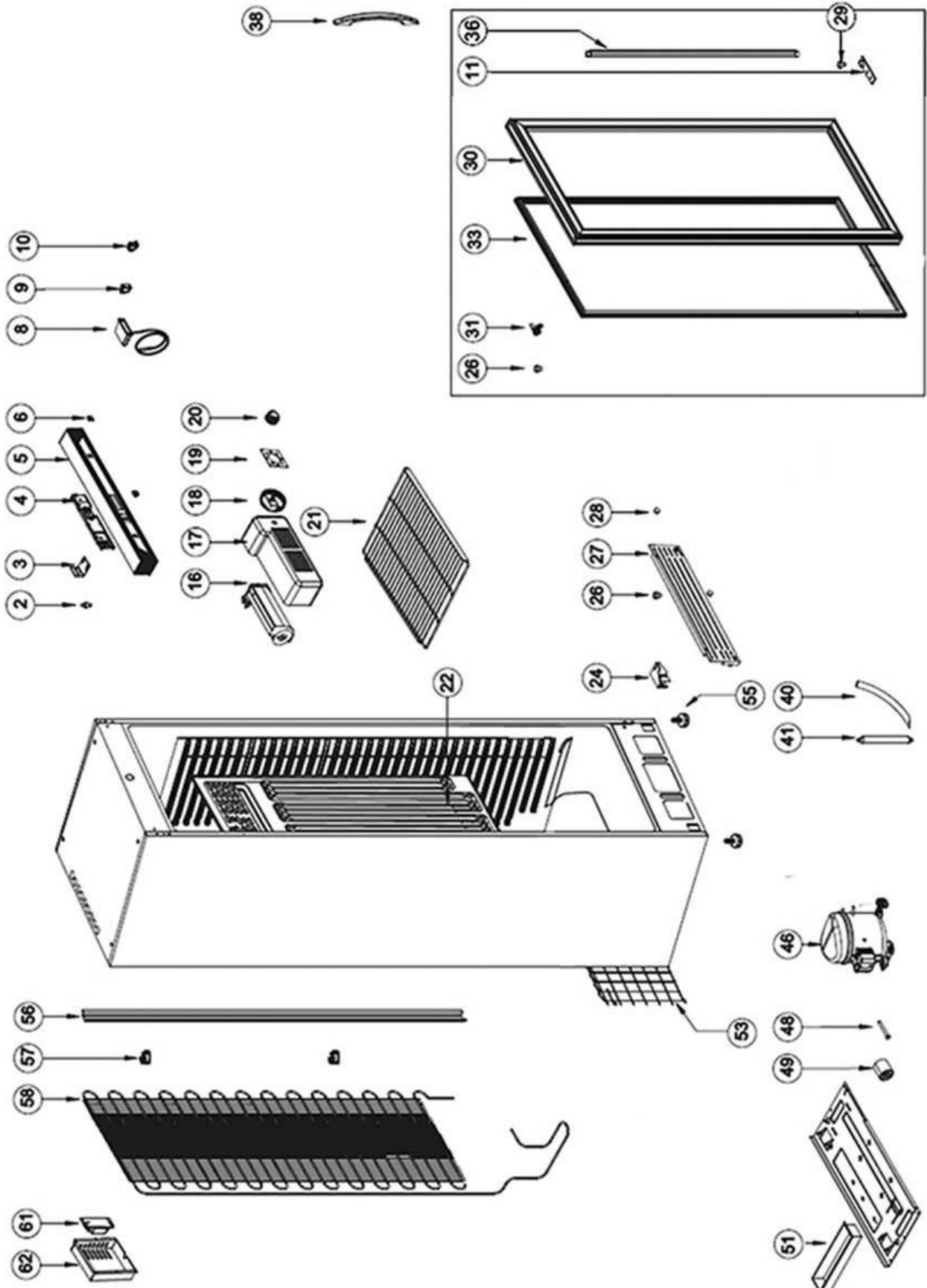


RESERVDLAR

TF CEV425-I



Pos.No.	Part No	Description
00002	2018400114	PIN FOR HINGE
00003	1011910004	TOP HINGE BASE LEFT/RIGHT
00004	1014610103	CONTROL PANEL 2015 BLACK
00005	1014610104	COVER FOR CONTROL PANEL 2015 B
00006	1014618050	CONTROL PANEL COVER FOR SCREW
00008	1024100002	THERMOMETER ANALOG BLACK 1.2M
00009	2113916040	LIGHT SWITCH
00010	1013916017	GREEN CONTROL LAMP
00011	3810700082	PIN BOTTOM HINGE FOR WIRES R
00016	1013700228	FAN MOTOR INT/EXT
00017	1014611084	COVER FOR INTERNAL FAN
00018	2018400016	THERMOSTAT K50B-S16176 R600
00019	1015020124	THERMOSTAT SCALE LABEL WHITE
00020	1014618062	THERMOSTAT KNOB FS
00021	1015200151	WIRE SHELF FOR PRINT 499x360
00022	1022700002	ROLL BOND EVAPORATOR WHITE
00024	1917000040	RIGHT HINGE FOR WIRES
00026	1014618052	HINGE BUSH
00027	1014618053	VENTILATION GRILL BOTTOM BLACK
00028	1014618055	SCREW COVER FRONT GRILL
00029	3810700081	BUSHING FOR HINGE WITH WIRES
00030	1010708371	DOOR BLACK FRAME INT. HANDLE
00030	1010708372	DOOR BLACK FRAME EXT. HANDLE
00030	1010708381	DOOR COMPLETE WITH 1 LED
00030	1010708382	DOOR REVERSIBLE WITH 2 LED
00031	4014900020	LOCK WITH KEYS
00033	2014690016	DOOR GASKET BLACK 585x1620
00036	1014680012	LED STRIP 1464 MM FOR DOOR
00038	1115200271	HANDLE CURVED
00040	1014680046	DRAIN PIPE
00041	2018400130	FILTER DRIER 20 G
00046	2018400052	COMPRESSOR HMK12AA R600
00048	1011800087	PIN FOR BIG ROLLER
00049	1014610071	BIG ROLLER
00051	1014610174	DRIP TRAY
00053	1515200101	GRILL COVER FOR COMP. COMPART.
00055	1014610190	ADJUSTABLE SCREW FOOT
00056	1014610102	COVER FOR WIRING
00057	1014611128	HOLDER FOR CONDENSER 2015
00058	1012800042	CONDENSER
00061	1014680013	LED POWER SUPPLY 12 V 35 W
00062	1017550001	COVER FOR BALLAST