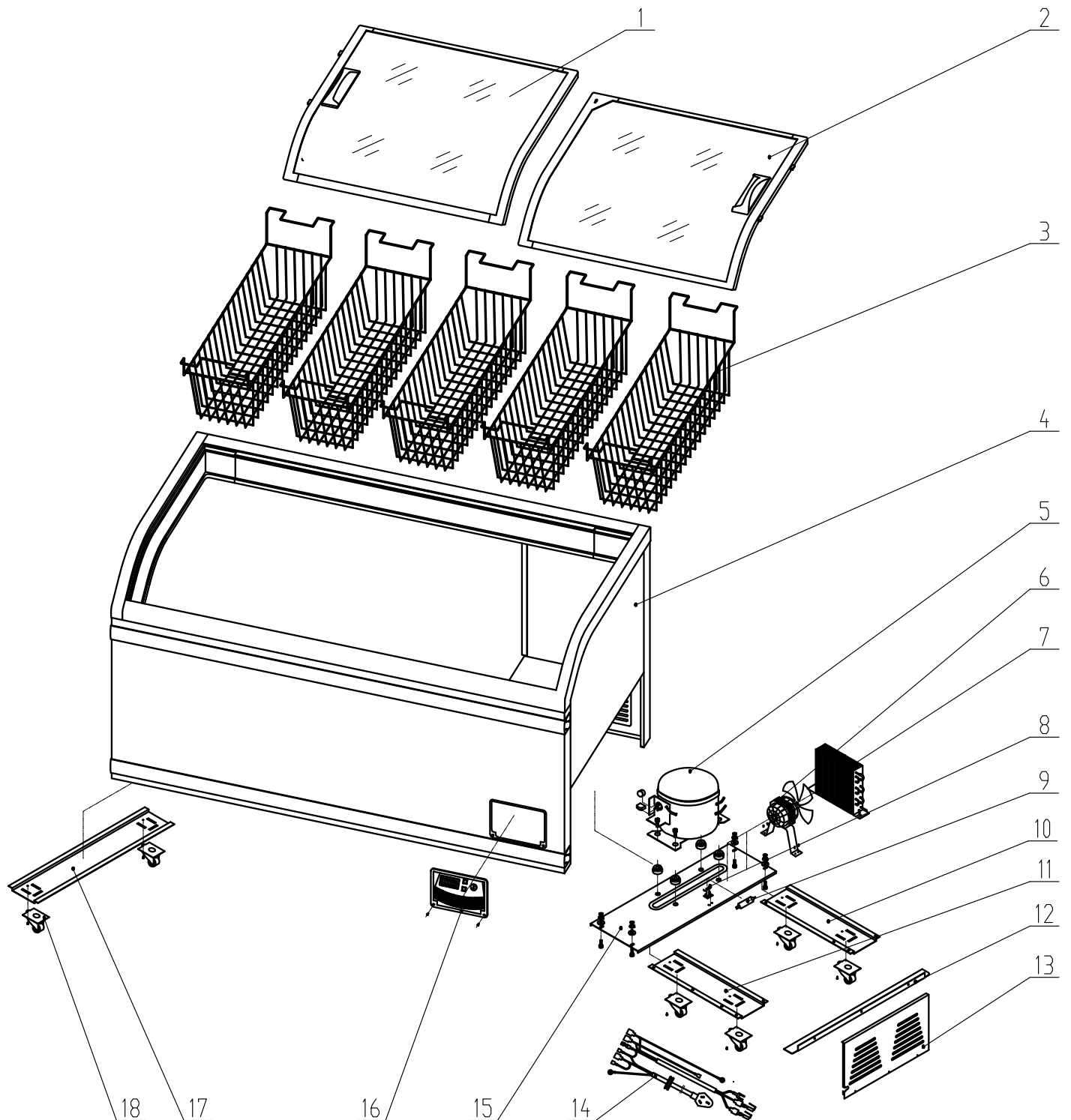


RESERVDELAR

SC XS 602 E



Pos.No.	Part No	Description
1	RES-15810	Sliding glass door upper
2	RES-15811	Sliding glass door lower
3	RES-15812	Basket
4	RES-15813	Body
5	RES-16385	Compressor R134a
5	RES-20833	Compressor R290
6	RES-15815	Cooling fan
7	RES-15816	Finned condenser
8	RES-15817	FILTER support
9	RES-15818	Filter
10	RES-15819	Castor channel iron A
11	RES-15820	Castor channel iron B
12	RES-15821	Iron liner
13	RES-15822	Shutter
14	RES-15823	Plug
15	RES-15824	Compressor support
16	RES-15825	Temperature panel
17	RES-15826	Castor channel iron
18	RES-15827	Castor set of 6 pcs
19	RES-15831	Led light in front
19	RES-19658	Trafo Led light