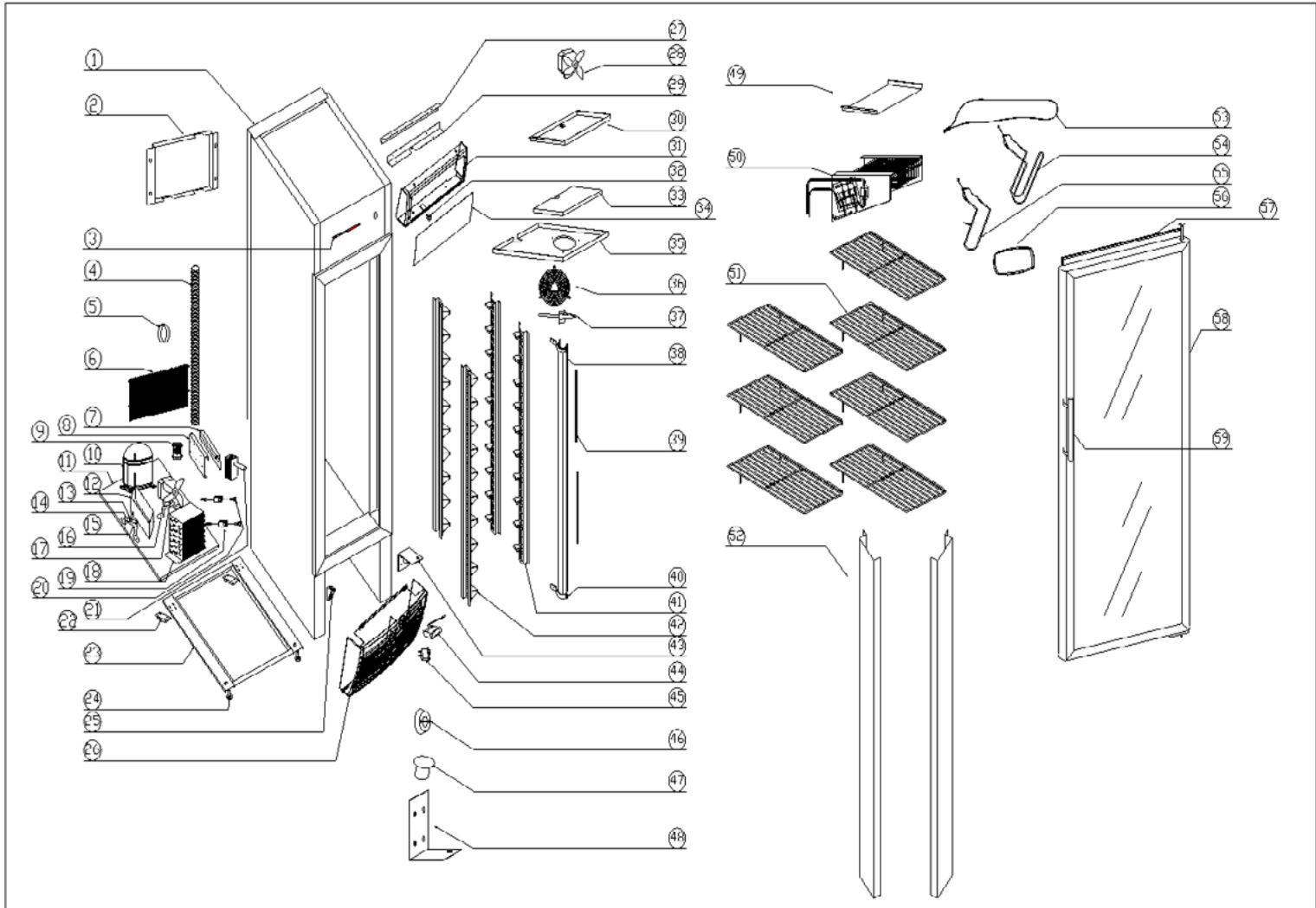


# RESERVDELAR

## SC SF217



| Pos.No. | Part No   | Description                       |
|---------|-----------|-----------------------------------|
| 1       | RES-20560 | Back panel                        |
| 2       | RES-20561 | Heat cover                        |
| 3       | RES-20562 | LED light board inside light box  |
| 4       | RES-20563 | Drain pipe                        |
| 5       | RES-20564 | Hose clamp                        |
| 6       | RES-20565 | Engine room grill                 |
| 7       | RES-20566 | Wire-protection plate support     |
| 8       | RES-20567 | Wire-protection plate             |
| 9       | RES-20568 | Junction box                      |
| 10      | RES-20569 | Compressor                        |
| 11      | RES-20570 | Compressor base board             |
| 12      | RES-20571 | Water box                         |
| 13      | RES-20572 | Filter support                    |
| 14      | RES-20573 | Filter                            |
| 15      | RES-20574 | Filter support bracket            |
| 16      | RES-20575 | Fan support                       |
| 17      | RES-20576 | Evaporating fan                   |
| 17 1    | RES-20577 | Fan blades Ø172                   |
| 18      | RES-20578 | Condenser                         |
| 19      | RES-20579 | Transformer for heated glass door |
| 20      | RES-20580 | Transformer for LED light         |
| 21      | RES-20581 | Air balance valve complete        |
| 22      | RES-20582 | Caster                            |
| 23      | RES-20583 | Bottom support                    |
| 24      | RES-20584 | Foot                              |
| 25      | RES-20585 | Left bottom hinge                 |
| 26      | RES-20586 | Front grill                       |
| 27      | RES-20587 | Top support of light box          |
| 28      | RES-20576 | Evaporating fan                   |
| 28 1    | RES-20588 | Fan blades Ø154                   |
| 29      | RES-20589 | Bottom support of light box       |
| 30      | RES-20590 | Top water tray                    |
| 31      | RES-20591 | Light box                         |
| 32      | RES-20592 | Sector switch                     |
| 33      | RES-20593 | EPE insulation board              |
| 34      | RES-20594 | Scaleboard of light box           |
| 35      | RES-20595 | Evaporating fan baffle            |
| 36      | RES-20596 | Evaporating fan cover             |
| 37      | RES-20597 | Water tray                        |
| 38      | RES-20598 | Light cover                       |
| 39      | RES-20599 | Side LED lamp strip               |
| 40      | RES-20600 | Fixing plate for light cover      |
| 41      | RES-20601 | Rack                              |
| 42      | RES-20602 | Shelf clip, set of 4 pcs          |
| 43      | RES-20603 | Right bottom hinge                |
| 44      | RES-20604 | Digital thermostat                |
| 45      | RES-20605 | Light switch                      |
| 46      | RES-20606 | Air balance valve stopper         |
| 47      | RES-20607 | Drain hole cap                    |
| 48      | RES-20608 | Top hinge                         |
| 49      | RES-20609 | Heater separator                  |
| 50      | RES-20610 | Evaporator                        |
| 51      | RES-20611 | Shelf                             |
| 52      | RES-20612 | Wire plate                        |
| 53      | RES-20613 | Heater                            |
| 54      | RES-20614 | Heat pipe(1)                      |
| 55      | RES-20615 | Heat pipe(2)                      |
| 56      | RES-20616 | Thermostat cover                  |
| 57      | RES-20617 | Door gasket                       |
| 58      | RES-20618 | Heated glass door                 |
| 59      | RES-20619 | Door handle                       |