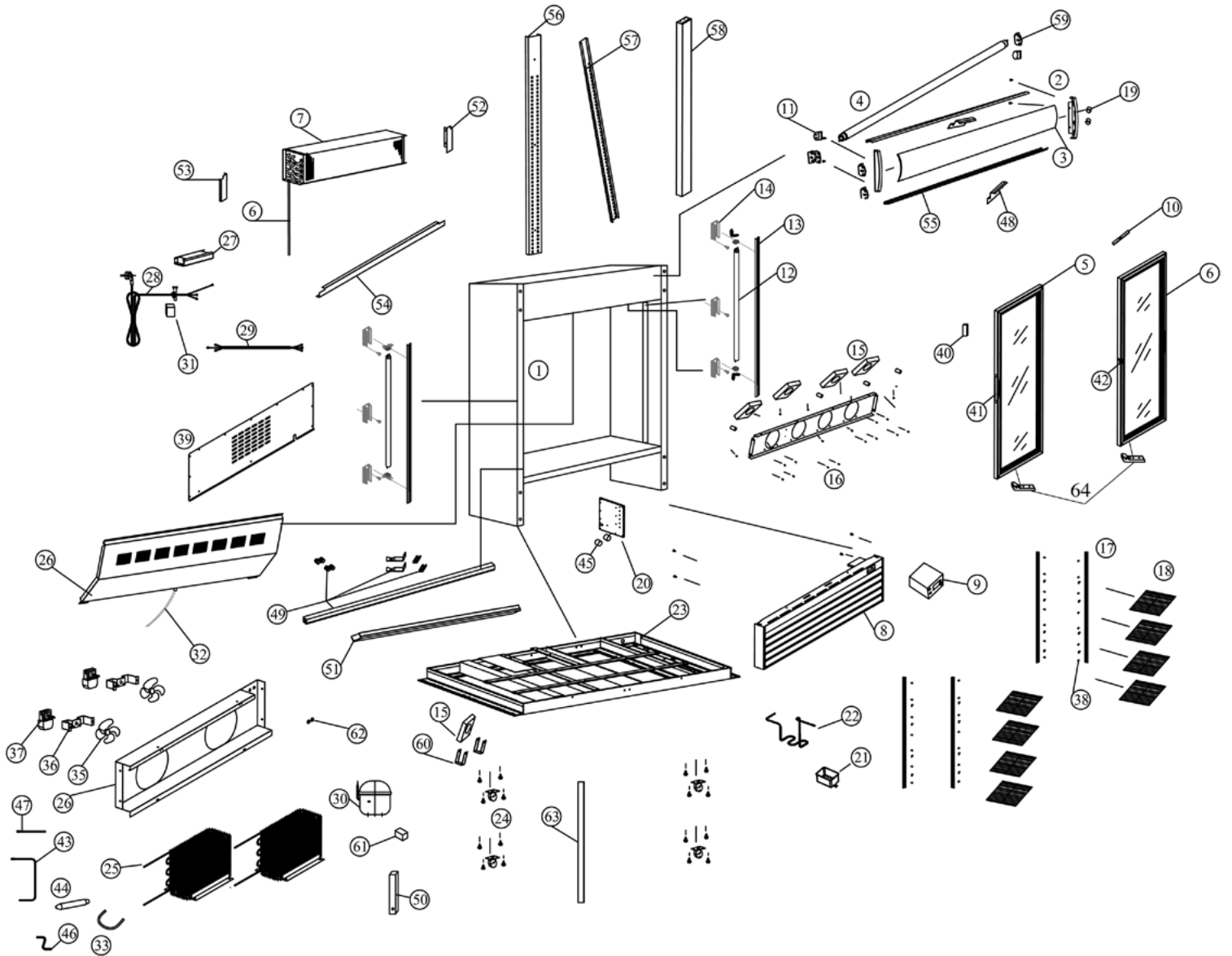


# RESERVDELAR

## SC SD 802 SLE



Pos.No.	Part No	Description
2	RES-21457	Side cover for top light cover
3	RES-16790	Top light cover
4	RES-20661	LED light for canopy, new type
5	RES-19488	Glass door right New version
5	RES-19489	Glass door left New version
6	RES-11252	Evaporator Pipe Assembly
7	RES-16794	Finned tube evaporator
8	RES-16874	Front cover SD801SL
9	RES-16796	Electronic Thermostat
10	RES-16875	Door Gasket
12	RES-20662	Inner Led New type
13	RES-16801	Lamp Cover
14	RES-16802	Light slot
15	RES-14917	Fan motor
16	RES-16803	Inner fan plate
17	RES-14928	K-support
18	RES-16876	Shelf SD801SL (left-right)
19	RES-14916	Light switch
20	RES-16805	Electronic fixed board
21	RES-14945	Water Tray
22	RES-16806	Venting tube
23	RES-16807	Lower Steel Tower Assembly
24	RES-16808	Castor set of 2
24	RES-16809	Caster W/brake set of 2
25	RES-16810	Block condenser
26	RES-16811	Evaporator cover assembly
27	RES-19973	Trafo LED light
28	RES-16812	Power Cord
29	RES-11276	Connecting Wire Set
30	RES-16814	Compressor SD801-1001 R134A
31	RES-16815	Connecting Box
32	RES-16816	Drain tube for evaperator
33	RES-16817	Connecting Pipe for Condenser
35	RES-14938	Condenser fan motor
36	RES-16819	Condenser fan support
37	RES-14940	Condenser fan motor
38	RES-19618	K-Clip new version
39	RES-16820	Back cover
40	RES-16877	Door part
41	RES-16878	Hidden Handle
42	RES-14935	Lock
43	RES-16821	Direr Connecting Tube
44	RES-14948	Drier
46	RES-16824	Evaporator Pipe
47	RES-16825	Connect Wire
48	RES-16826	Support for rail top light cover
49	RES-20452	Bottom rail for wheel sling assembly
51	RES-16881	Seal Slot
52	RES-16828	Evaporator Plate(left-right)
54	RES-16830	Evaporator Plate(middle)
55	RES-21459	Rail for top light cover
56	RES-19887	Back Middle Pole Assembly
57	RES-19888	Middle Pole Assembly Plate
58	RES-19889	Middle Pole Assembly
59	RES-13404	Lamp and end caps holder for top light
60	RES-16835	Fan motor support for compressor
62	RES-16836	Protective ring
63	RES-16882	Sliding door cabinet opening frame trim
64	RES-16951	Set of bottom wheel