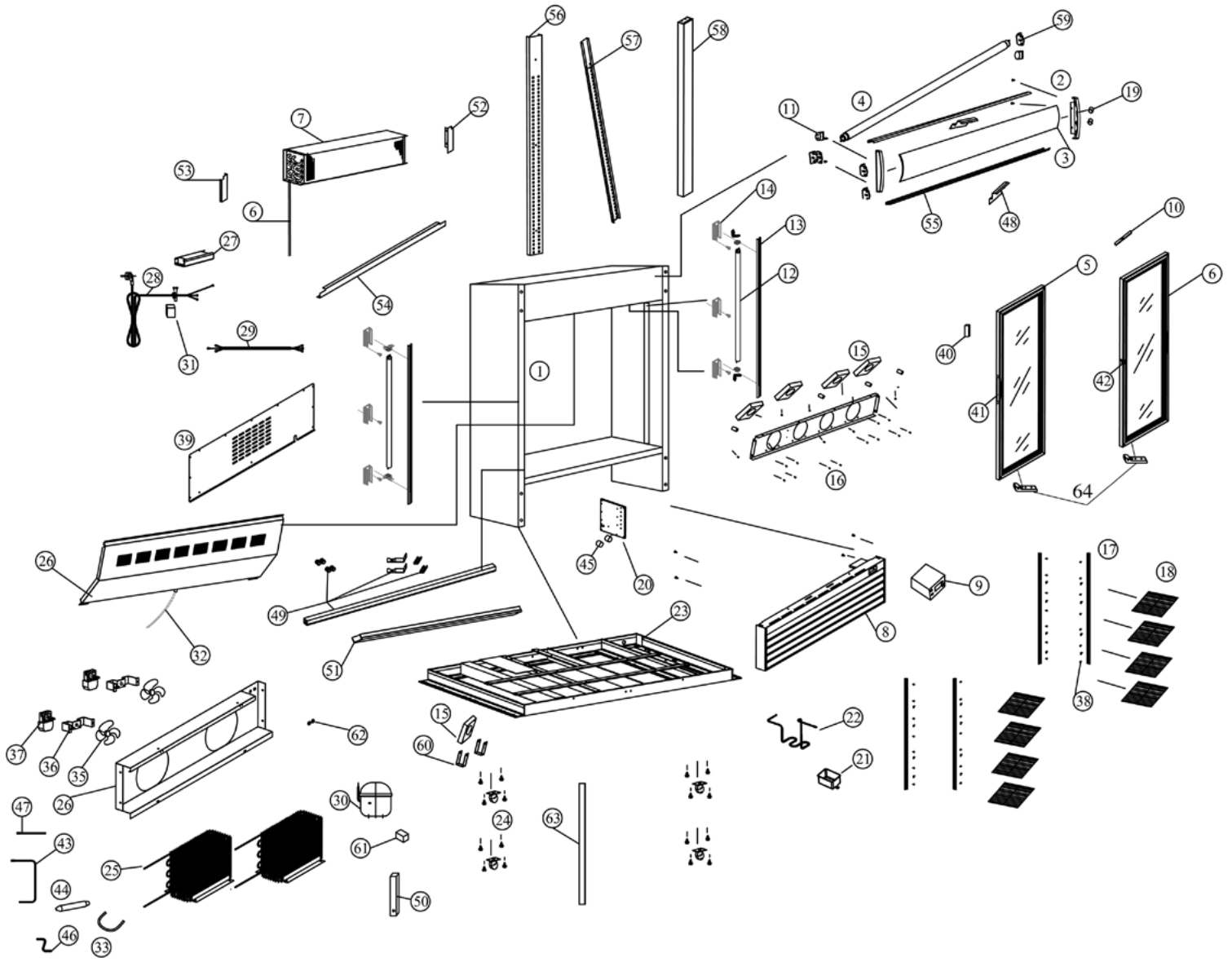


# RESERVDELAR

## SC SD 881 HE



<b>Pos.No.</b>	<b>Part No</b>	<b>Description</b>
2	RES-14915	Side cover for top light cover
3	RES-16790	Top light cover
4	RES-20661	LED light for canopy, new type
5	RES-16791	Right Glass Door
5	RES-16792	Left Glass Door
6	RES-16793	Evaporator pipe assembly
7	RES-16794	Finned tube evaporator
8	RES-16795	Front cover SD801H
9	RES-16796	Electronic Thermostat
10	RES-16797	Magnetism door gasket
12	RES-20662	Inner Led New type
13	RES-16801	Lamp Cover
14	RES-16802	Light slot
15	RES-14917	Fan motor
16	RES-16803	Inner fan plate
17	RES-14928	K-support
18	RES-16804	Shelf SD801H (left-right)
19	RES-14916	Light switch
20	RES-16805	Electronic fixed board
21	RES-14945	Water Tray
22	RES-16806	Venting tube
23	RES-16807	Lower Steel Tower Assembly
24	RES-16808	Castor set of 2
24	RES-16809	Caster W/brake set of 2
25	RES-16810	Block condenser
26	RES-16811	Evaporator cover assembly
27	RES-19973	Trafo LED light
28	RES-16812	Power Cord
29	RES-16813	Connecting wire set
30	RES-16814	Compressor SD801-1001 R134A
31	RES-16815	Connecting Box
32	RES-16816	Drain tube for evaperator
33	RES-16817	Connecting Pipe for Condenser
34	RES-16818	Bracket for fan motor
35	RES-14938	Condenser fan motor
36	RES-16819	Condenser fan support
37	RES-14940	Condenser fan motor
38	RES-19618	K-Clip new version
39	RES-16820	Back cover
41	RES-14933	Door Handle
42	RES-14935	Lock
43	RES-16821	Direr Connecting Tube
44	RES-16822	Direr
46	RES-16824	Evaporator Pipe
47	RES-16825	Connect Wire
48	RES-16826	Support for rail top light cover
49	RES-16827	Faxing part
50	RES-14930	Upper hinge(left-right)
51	RES-14934	Lower hinge
52	RES-16828	Evaporator Plate(left-right)
53	RES-16829	Evaporator cover
54	RES-16830	Evaporator Plate(middle)
55	RES-16831	Rail for top light cover
56	RES-19626	Back Middle Pole Assembly
57	RES-19627	Middle Pole Assembly Plate
58	RES-19628	Middle Pole Assembly
59	RES-13404	Lamp and end caps holder for top light
60	RES-16835	Fan motor support for compressor
62	RES-16836	Protective ring