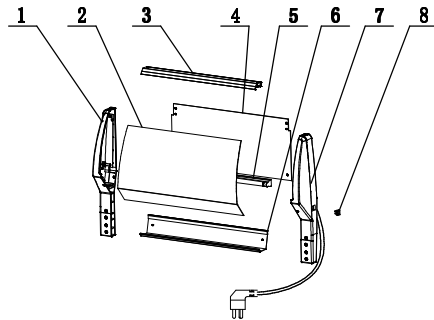
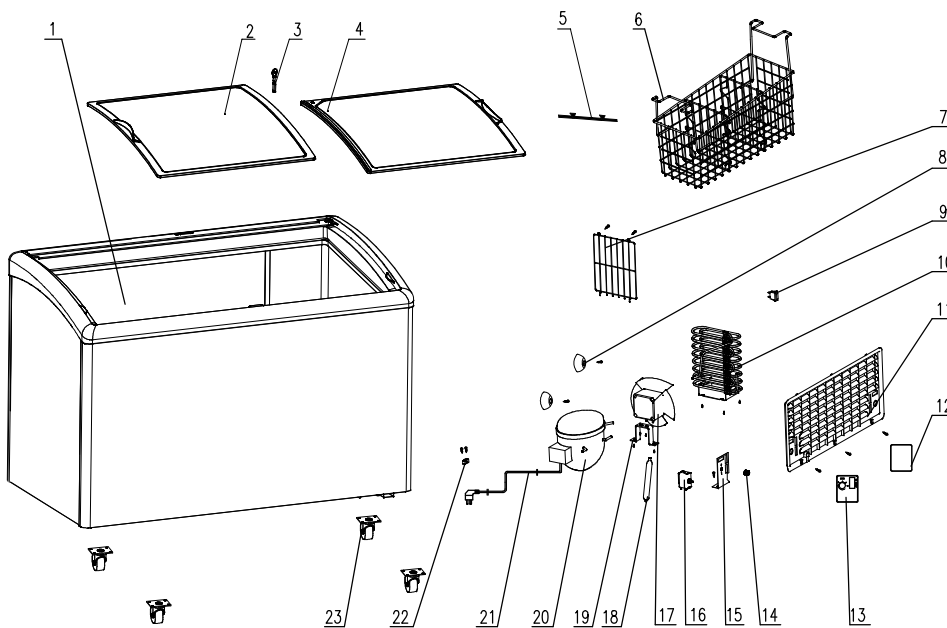


RESERVDELAR

SC SD 306



9	106-70-1500	power cable	1
8	202-50-0900	light switch	1
7	129-70-0200	right end cap	1
6	126-70-0302	down trim	1
5	14W	fluorescent light	1
4	126-70-0506	lamphouse BKT	1
3	126-70-0202	top trim	1
2	126-70-0402	lamphouse veil	1
1	129-70-0100	left end cap	1
number	Material code	name	quantity



Pos.No.	Part No	Description
1	RES-15229	Body
1	RES-15200	Left end cap
2	RES-15228	Up glass door
2	RES-15234	Lamphouse veil
3	RES-15190	Lock
3	RES-15233	Top trim
4	RES-15227	Down glass door
4	RES-15232	Lamphouse BKT
5	RES-15188	Load boundaires
5	RES-15231	Fluorescent light
6	RES-15226	Basket
6	RES-15230	Down trim
7	RES-15208	Rear cover
7	RES-15194	Right end cap
8	RES-15225	Bumper
8	RES-15193	Light switch
9	RES-15211	Green light
9	RES-15034	Power cable
10	RES-15224	External condenser
11	RES-15223	Cover
12	RES-15213	Cover panel
13	RES-15222	Control panel
14	RES-15039	Knob
15	RES-15221	Control KBT
16	RES-17271	Thermostat
17	RES-15181	Fan
18	RES-15184	Filter dryer
19	RES-15180	Fan KBT
20	RES-15220	Compressor
20	RES-23721	Compressor R290
21	RES-15219	Power cable
22	RES-15218	Double orifice press block
23	RES-15047	Caster set of 4
1-5	RES-15235	Canopy complete