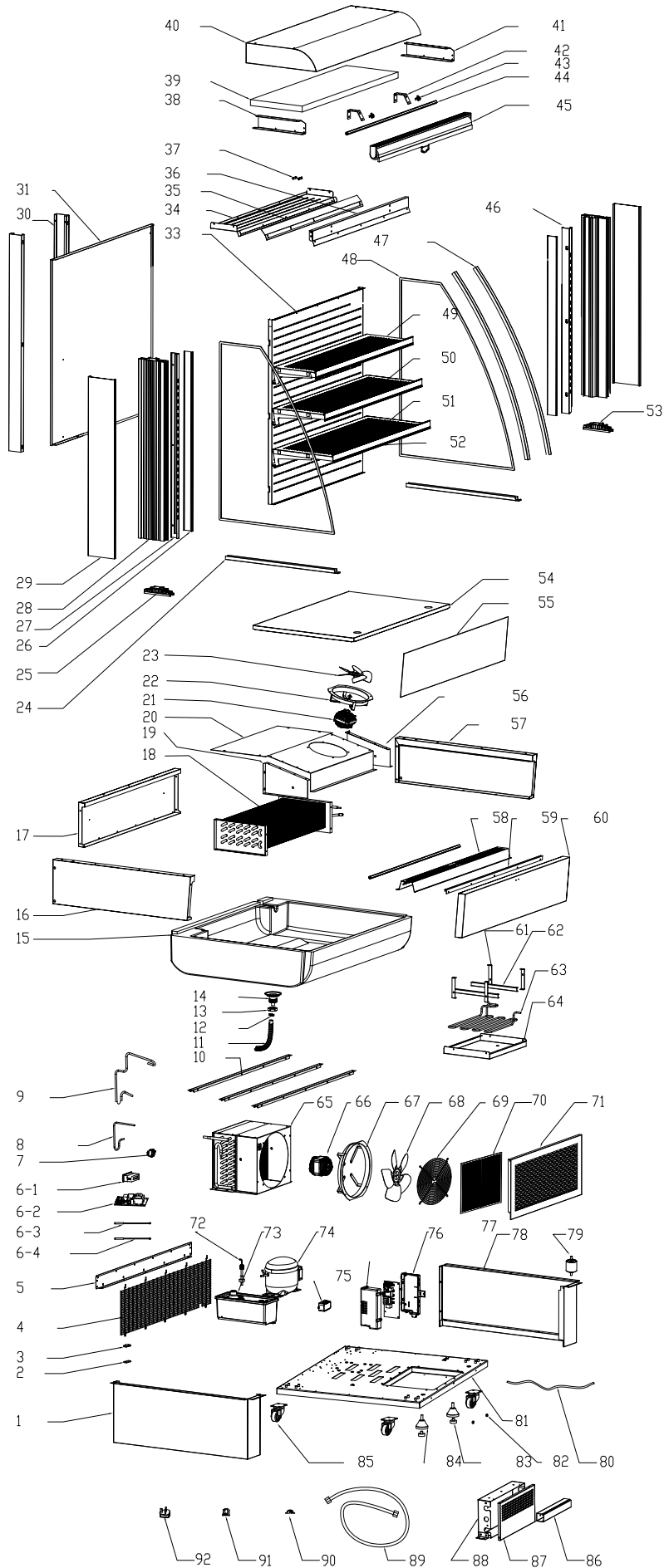


RESERVDELAR

SC OFC 381



Pos.No.	Part No	Description
1	RES-15696	Left panel of base
2	RES-15694	Wire clip holder
3	RES-15693	Wire clip cover
4	RES-16168	Back cover of base
5	RES-16169	Crossbar of base
6	RES-18927	Mainboard complete
7	RES-21840	Display
8	RES-21856	Mainboard
9	RES-21839	Overheating probe
10	RES-18973	Temp. probe
11	RES-15689	Switch
12	RES-21857	Connection pipe1
13	RES-16170	Connection pipe2
14	RES-21858	Barrier strip
15	RES-21859	Drain pipe
16	RES-21860	Pipe clip
17	RES-15683	Nut
18	RES-21861	Pipe joint
19	RES-16172	Evaporator holder
20	RES-15680	Left board of cabinet
21	RES-16173	Back board of cabinet
22	RES-16174	Evaporator
23	RES-15677	Left board of Evaporator cover
24	RES-16175	Evaporator cover
25	RES-15635	Fan Motor for evaporator
26	RES-15634	Flange
27	RES-16176	Fan blade
28	RES-15674	Bottom strip of side glass
29	RES-15673	Cover of Left pillar
30	RES-15672	Inner decorated strip
31	RES-15671	Left support pillar of shelf
33	RES-15670	Side pillar of cabinet
34	RES-15669	Outer decorated strip
35	RES-15668	Back barrier strip
36	RES-21862	Back cover of cabinet
37	RES-16179	Ventilated board
38	RES-16180	Ceiling board of cabinet
39	RES-16181	Air deflector
40	RES-16182	Board ahead curtain
41	RES-15661	Air deflector joint
42	RES-21863	Upper left rail
43	RES-21864	Top foam
44	RES-16184	Top cover
45	RES-21865	Upper right rail
46	RES-15656	Night curtain bracket
47	RES-15655	LED strip clip
48	RES-21866	LED strip
49	RES-21867	Night curtain
50	RES-15652	Right support pillar of shelf
51	RES-15651	Decorated strip
52	RES-15650	Side glass
53	RES-16187	Upper shelf
54	RES-16188	Middle shelf
55	RES-16189	Bottom shelf
56	RES-16190	Price tag holder
57	RES-15645	Cover of right pillar
58	RES-16191	Bottom board of cabinet
59	RES-16192	Glass deflector
60	RES-15642	Right board of Evaporator cover
61	RES-15641	Right board of cabinet
62	RES-21868	Air inlet cover
63	RES-16194	Barrier strip of glass
64	RES-16195	Front board of cabinet
65	RES-21869	Bracket of water receiver
66	RES-18922	Platen of heater
67	RES-21870	Heater
68	RES-21871	Tray of heater
69	RES-16200	Condenser
70	RES-16201	Fan motor for condensator
71	RES-16202	Fan guard
72	RES-16203	Fan blade
72	RES-16204	Flat net cover
73	RES-16205	Air filter
75	RES-16206	Ventilated board of base
76	RES-21247	Compressor R290
77	RES-21872	Water level detector
78	RES-21873	Water receiver
79	RES-21874	LED transformer
80	RES-15624	Circuit board box
81	RES-21875	Cover of circuit board box
82	RES-15621	Right panel of base
83	RES-16207	Dry filter
84	RES-15619	Power cord
85	RES-16208	Base board
86	RES-15618	Magnet
87	RES-15615	Fixed stopper
88	RES-15617	Feet
89	RES-15616	Castor
90	RES-18921	PVC trucking
91	RES-18923	Cover of terminal box
92	RES-18920	Terminal box
93	RES-18980	Drain pipe
94	RES-18979	Pipe Clamp
95	RES-18981	PPR Pipe Clamp