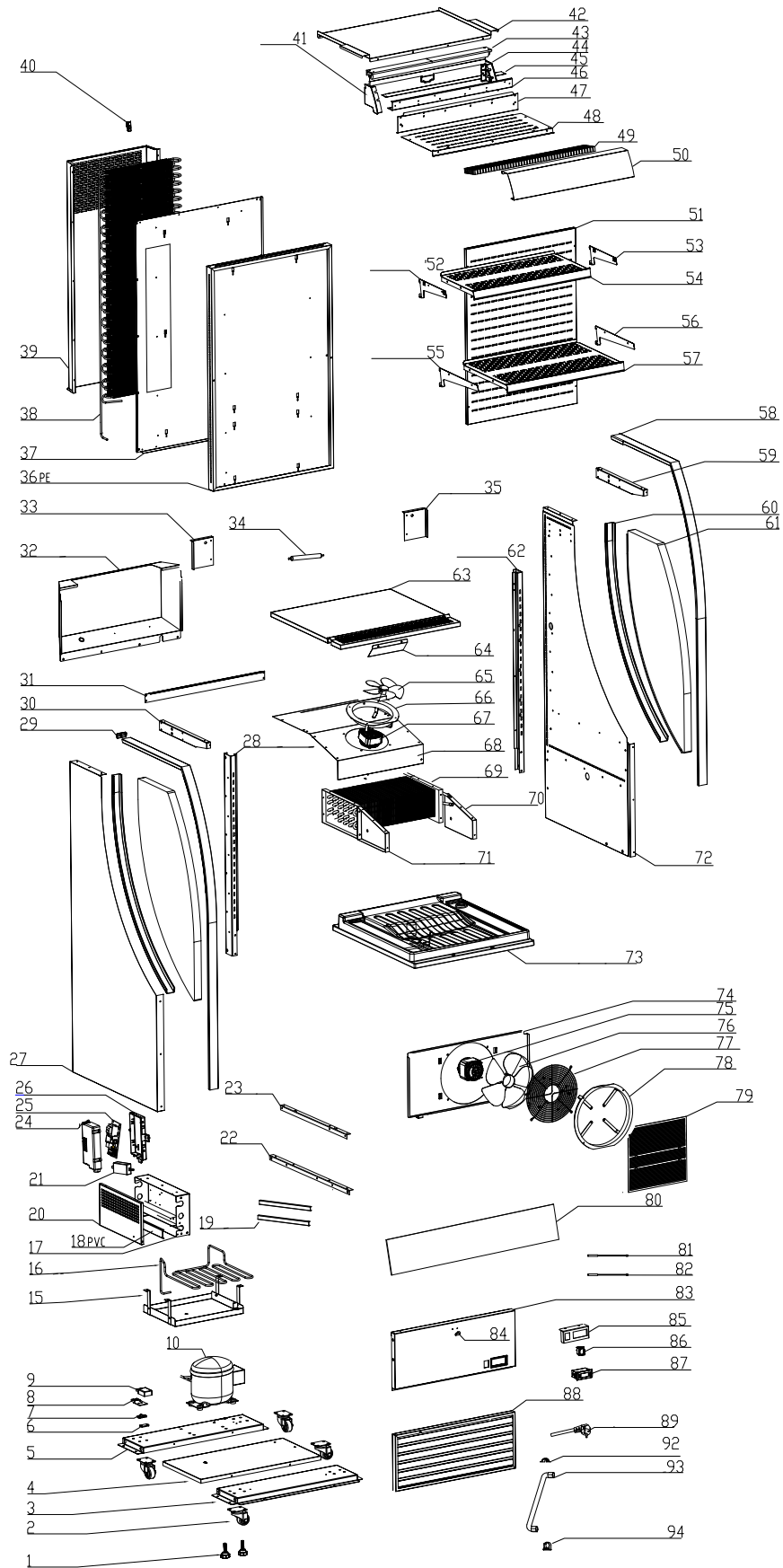


RESERVDELAR

SC OFC 190



Pos.No.	Part No	Description
1	RES-18914	Adjustable screw rod
2	RES-15616	Castor
3	RES-18915	Front plate of the base
4	RES-18916	Middle plate of the base
5	RES-18917	Fixing plate for compressor
6	RES-15694	Wire clip holder
7	RES-15693	Wire clip cover
8	RES-15570	Control box
9	RES-15569	Control panel
10	RES-15627	Compressor
15	RES-18918	Dish for high temp. pipe
16	RES-18919	High temp. Pipe
17	RES-18920	Terminal box
18	RES-18921	PVC trucking
19	RES-18922	Platen of heater
20	RES-18923	Cover of terminal box
21	RES-18924	LED power driver
22	RES-18925	Holder for base cover
23	RES-18926	Connecting piece for evaporator baseboar
24	RES-15623	Cover for circuit board box
25	RES-18927	Mainboard complete
26	RES-15624	Circuit board box
27	RES-18928	Foaming components for left side board
28	RES-18929	Shelf left support
29	RES-18930	Cover for trim strip
30	RES-18931	Left holder for inside top tray
31	RES-18932	Rear upper separator
32	RES-18933	Rear cover for the base
33	RES-18934	Leftwind screen for evaporator
34	RES-18935	Dry filter
35	RES-18936	Right wind screen for evaporator
36	RES-18937	PE cotton for rear baord
37	RES-18938	Rear board
38	RES-18939	Condenser
39	RES-18940	Condenser cover
40	RES-18941	Condensator bracket
41	RES-18942	Left support for foreplate
42	RES-18943	Head cover
43	RES-18944	Curtain
44	RES-18945	Right support for foreplate
45	RES-18932	Rear upper separator
46	RES-18946	Front upper separator
47	RES-18947	Foreplate of curtain
48	RES-18948	Inside top tray
49	RES-18949	Honeycomb plate
50	RES-18950	Front plate for head cover
51	RES-18951	Ventilating board
52	RES-18952	Upper left support for shelf
53	RES-18953	Upper right support for shelf
54	RES-18954	Upper shelf
55	RES-18955	Lower left support for shelf
56	RES-18956	Lower right support for shelf
57	RES-18957	Lower shelf
58	RES-18958	Outer trim strip
59	RES-18959	Right holder for inside top tray
60	RES-18960	Glass inside calliper
61	RES-18961	Side glass
62	RES-18962	Right shelf support
63	RES-18963	Cover plate for the base
64	RES-18964	Pressing plate for evaporator motor hold
65	RES-15608	Fan blade of condenser
66	RES-15675	Flange
67	RES-15635	Fan Motor for evaporator
68	RES-18965	Fixing plate for evaporator motor
69	RES-15678	Evaporator
70	RES-18966	Right side plate for evaporator motor
71	RES-18967	Left side plate for evaporator motor
72	RES-18968	Foaming components for right board
73	RES-18969	Foaming components for eveporator basebo
74	RES-18970	Condenser motor holder
75	RES-16201	Fan motor for condensator
76	RES-16203	Fan blade
77	RES-16204	Flat net cover
78	RES-16202	Fan guard
79	RES-16205	Air filter
80	RES-18971	Windscreen
81	RES-18972	Overheating probe
82	RES-18973	Temp. probe
83	RES-18974	Front upper grill
84	RES-18975	Night curtain hook
85	RES-18976	Control bracket
86	RES-15689	Switch
87	RES-18977	Temperature Display
88	RES-18978	Window-shades
89	RES-15619	Power cord
92	RES-18979	Pipe Clamp
93	RES-18980	Drain pipe
94	RES-18981	PPR Pipe Clamp