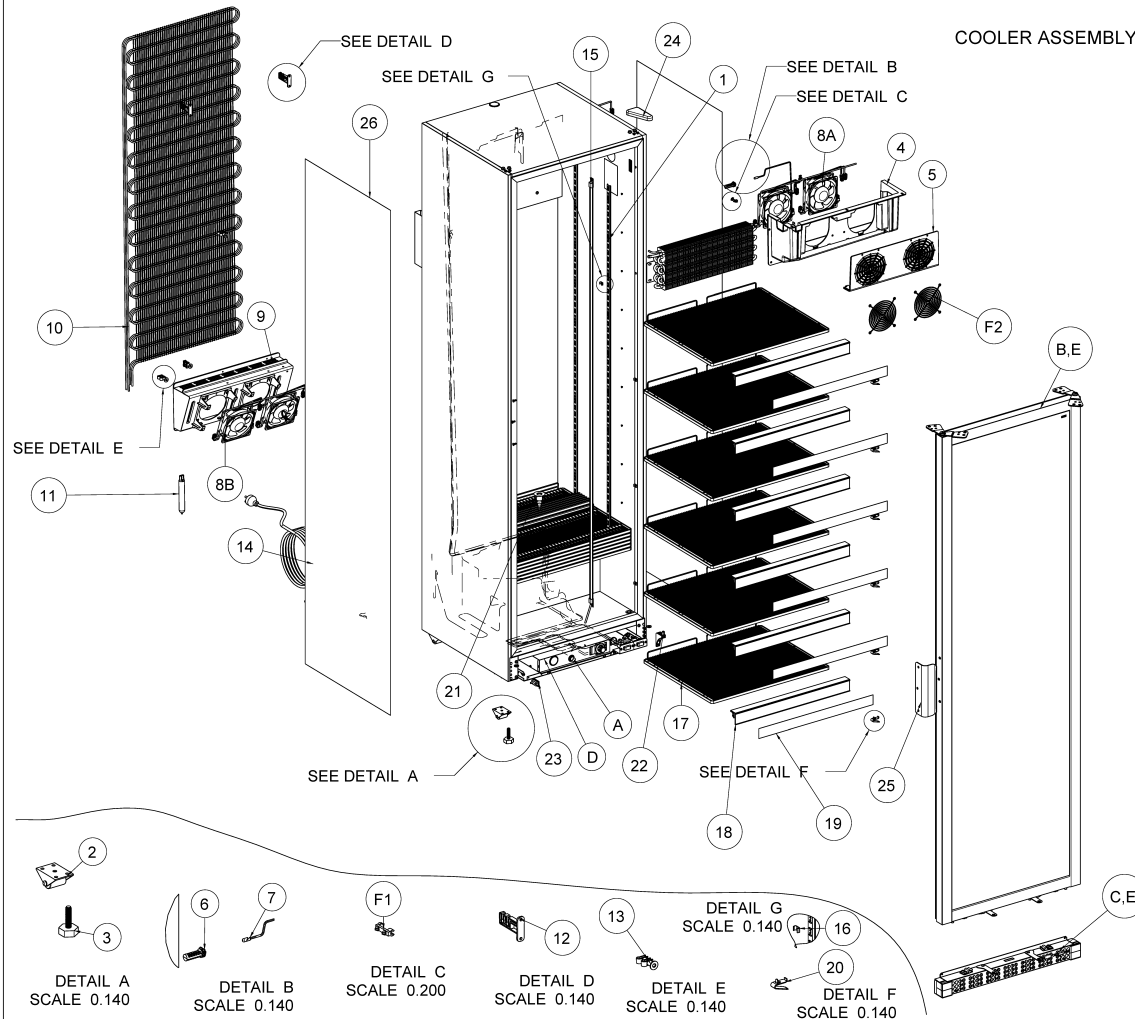




# MAX-450 [R290]

## COOLER ASSEMBLY



	NAME	DATE		FRIGOGLOSS cool division
CREATED BY	AL	23.09.19	NAME	EXPLODED VIEW MAX-450 [R290]
APPROVAL	AL	23.09.19	DWG NUMBER	EV-MAX450-01
DWG STATUS	Conceptual Design			
VER NO	CHANGE NOTE	DATE	MOD. BY	
0.0	NEW DRAWING	23.09.19	AL	

S/N	DESCRIPTION
1	PILLASTER
2	ROLLER
3	ADJUSTABLE FOOT
4	EVAPORATOR COVER
5	EVAP. FAN CASING DOOR
6	SENSOR BAY
7	AIR SENSOR
8A	EVAPORATOR MOTOR
8B	CONDNSER MOTOR
9	PLASTIC CONDENSER MOTOR SHROUD
10	CONDENSER
11	FILTER - DRIER
12	BACK WOT CONDENSER CLIP
13	PLASTIC CLIP FOR CONDENSER
14	POWER CORD
15	LED ASSEMBLY 1600mm
16	LED CLIP
17	SHELF
18	PRICE PROFILE
19	PRICE STRIP
20	SHELF CLIP
21	DRAINAGE PLUG
22	BOTTOM HINGE
23	BASE SUPPORT
24	HINGE COVER
25	HANDLE
26	SIDE STICKER
A	COOLING BASE / COOLING MECHANISM
B	DOOR
C	FRONT GRID
D	ELECTRICAL PLATE
F	METALLIC FAN CASING OPTION
F1	SENSOR CLIP
F2	FAN SHROUD

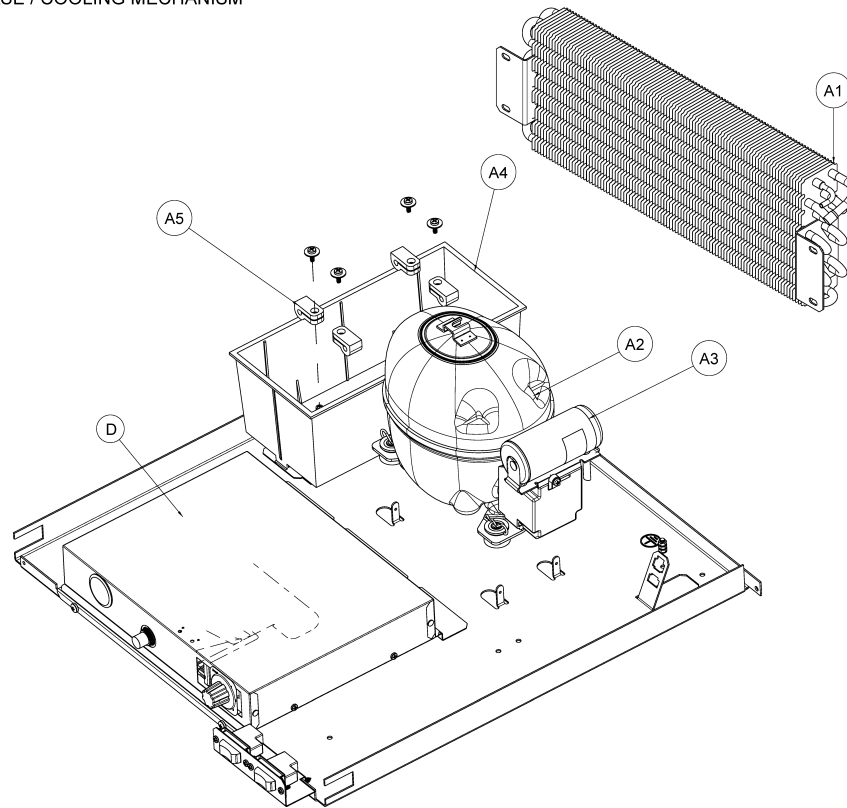


Ref.	Spare part code	Description	Notes
25	9908640050	Door Handle, Grey RAL7004 D7L0145-00-01	
C,E	9928640050	Front Grid Plus 450, Metal, Grey RAL7004 d8h0400-00-01_0.3	
17	9922640140	Shelf Max450, White D8H0900-00-01	6 per cooler
20	9926060026	Shelf Clip d580912-cr-02_6.1	
10	9930640060	Condenser WOT Back D8H0500-BA-01	
13	9948001990	Condenser, Fixing clips D780530-00-01_0	
4	9968640040	Evaporator Cover, GSS White A8U0510-M0-01	
F2	9958220010	Fan Grid MV 250 D1E0301-00-01	2 per cooler
22	9906870020	Hinge, Cast hinge 2016, with screws (U=L) d650835-st-02	
24	9948000923	Upper Hinge Cover FV400, Grey RAL7004 D111005	
7	9979480011	Temperature Sensor Sollatek FCR22 9T25010B With Tyco 2005247-4	
F1	9952470010	Thermometer Sensor Holder, Plastic D500310-00-01	
15	9974920020	LED Tube LRB1600-7.9K16-E-SC-c-V2WCA2C8 2x177915-1 & 2005247-2	1 per cooler
8A,8B	9937190120	Block Fan Motor Nidec CNDC24B7 W with Tyco 1-368575-1 24VDC	4,84 per cooler
3	9962080010	Adjusting Foot M10x40 D000104-00-02	2 per cooler
2	9951000015	Refrigerators roller, with rivets D000102-00-02	
14	9971640030	Power Cable Black PF-CEE7/7-CR2-TR8-3.2 EU plug	



# MAX-450 [R290]

COOLER BASE / COOLING MECHANISM



	NAME	DATE	FRIGOGLASS cool division	
CREATED BY	AL	23.09.19	NAME	EXPLODED VIEW MAX-450 [R290]
APPROVAL	AL	23.09.19	DWG NUMBER	EV-MAX450-01
DWG STATUS	Conceptual Design			
VER NO	CHANGE NOTE	DATE	MODF. BY	
0.0	NEW DRAWING	23.09.19	AL	

S/N	DESCRIPTION
A1	EVAPORATOR
A2	COMPRESSOR
A3	START CAPACITOR
A4	DRIP TRAY
A5	GROMMET
D	ELECTRICAL PLATE

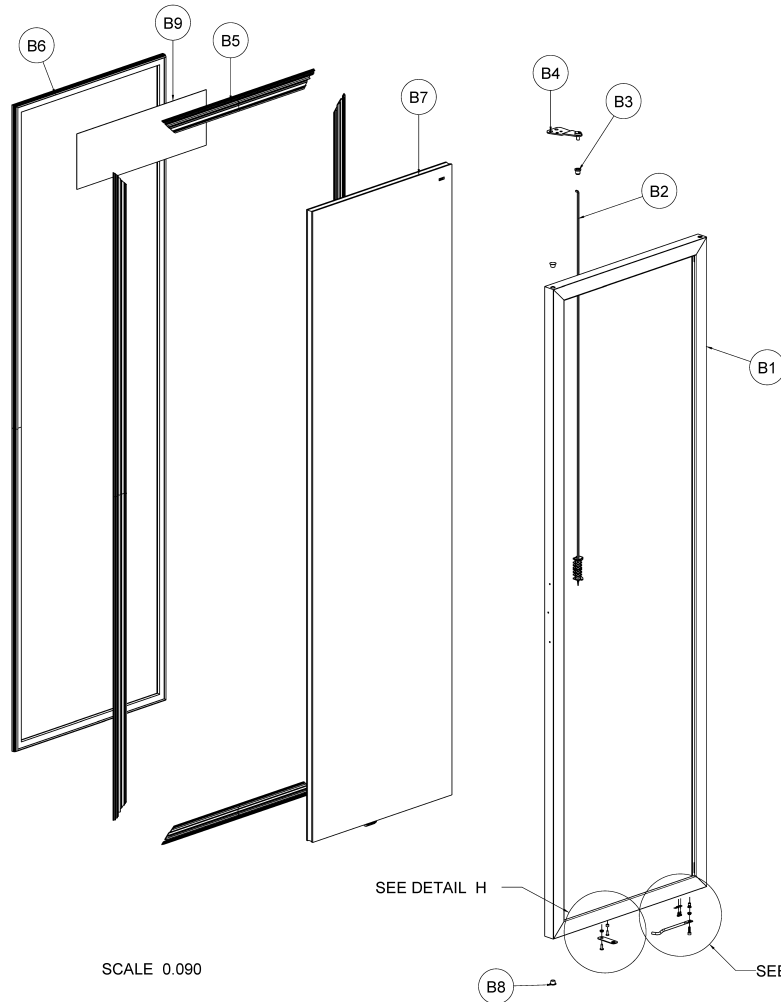


Ref.	Spare part code	Description	Notes
A4	9932510020	Drip Tray, Plastic, White RAL9003 D5H0532-00-01	
A1	9931640030	Evaporator F&T AL-AL D8H0500-00-01	
A2	9933640050	Compressor WB FTA45L CSIR & G960321 R290	



# MAX-450 [R290]

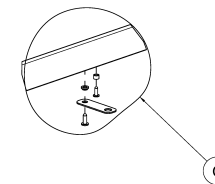
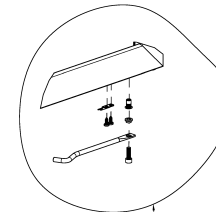
DOOR ASSEMBLY



SCALE 0.090

	NAME	DATE		FRIGOGLASS cool division
CREATED BY	AL	23.09.19	NAME	EXPLODED VIEW MAX-450 [R290]
APPROVAL	AL	23.09.19	DWG NUMBER	EV-MAX450-01
DWG STATUS	Conceptual Design			
VER NO	CHANGE NOTE	DATE	MODF. BY	
0.0	NEW DRAWING	23.09.19	AL	

DETAIL I  
SCALE 0.180



DETAIL H  
SCALE 0.180

S/N	DESCRIPTION
B1	DOOR FRAME ASSEMBLY
B2	DOOR SPRING
B3	HINGE BEARING
B4	TOP HINGE
B5	BACK COVER
B6	MAGNETIC GASKET
B7	GLASS
B8	DECORATIVE TAP
B9	GLASS STICKER
G	DOOR LOCK OPTION
J	DOOR HOLDER OPTION



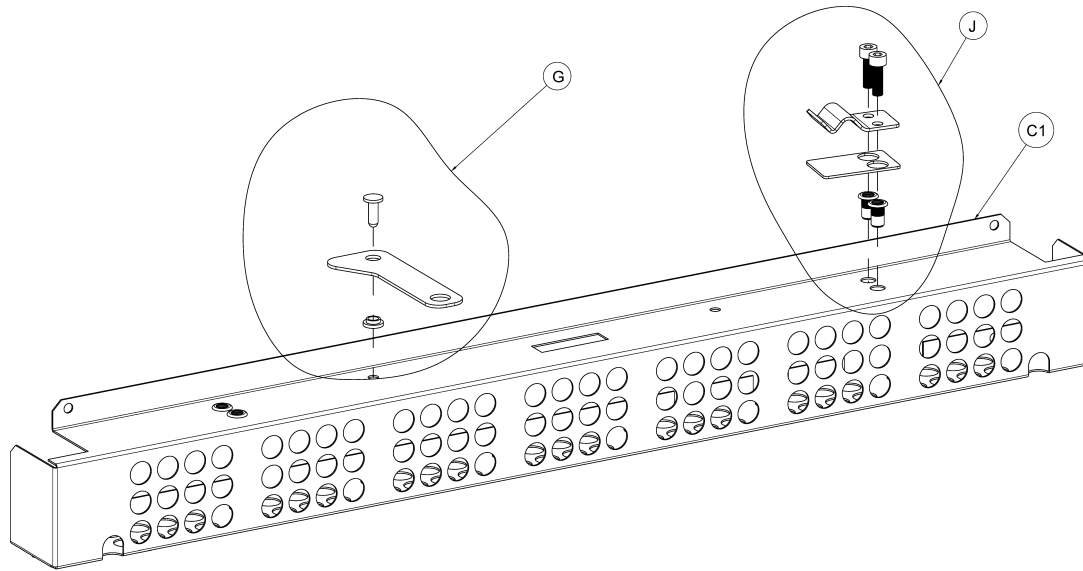
Ref.	Spare part code	Description	Notes
B1	9901640140	Door Max450 R290a, Aluminum, Grey RAL7004 4T-16ARG-4LOWE	
B5	9902640030	Door Back Cover, Black, 1889 mm D8H0801-00-01	
B5	9902640040	Door Back Cover, Black, 590 mm D8H0801-00-01	
B7	9905640050	Glass Panel 4T-16ARG-4LOWE	
B2	9913000010	Door Spring 1150 mm D410845-00-02	
B6	9904640090	Magnetic Gasket, Black 1874x575 D650875-00-01	
B4	9906040030	Hinge Upper FV400, Set D280004-00-02_2	Upper Hinge
B3	9909062055	Hinge Bearing, Black D650867-00-01	2 per cooler



# MAX-450 [R290]

FRONT GRID ASSEMBLY

	NAME	DATE	FRIGOGLOSS cool division	
CREATED BY	AL	23.09.19	NAME	EXPLODED VIEW MAX-450 [R290]
APPROVAL	AL	23.09.19	DWG NUMBER	EV-MAX450-01
DWG STATUS	Conceptual Design			
VER NO	CHANGE NOTE	DATE	MODF BY	
0.0	NEW DRAWING	23.09.19	AL	



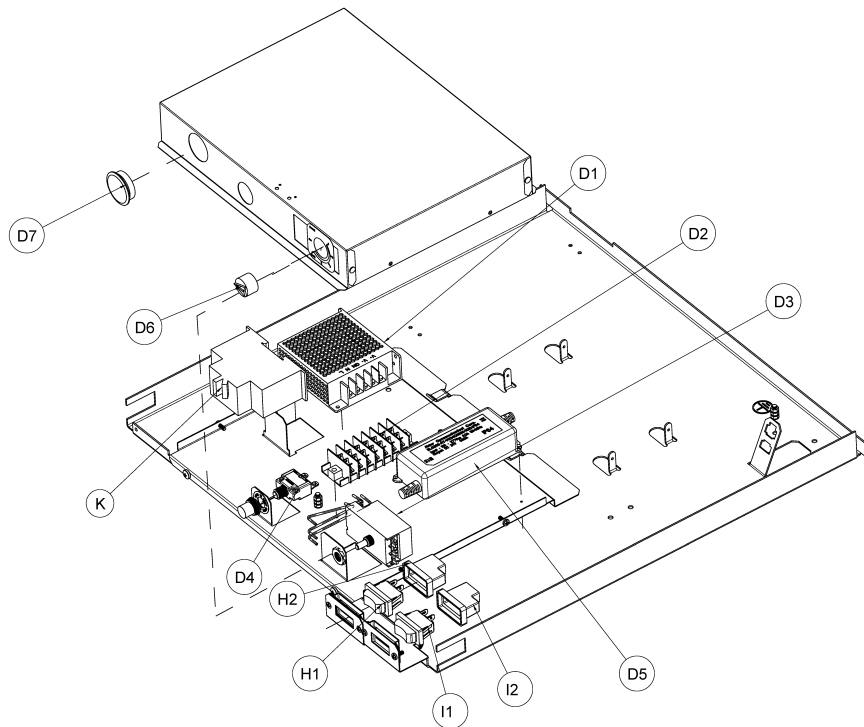
S/N	DESCRIPTION
C1	FRONT GRID MAIN PART
G	DOOR LOCK OPTION
J	DOOR HOLDER OPTION



# MAX-450 [R290]

ELECTRICAL PLATE

	NAME	DATE	FRIGOGLASS cool division	
CREATED BY	AL	23.09.19	NAME	EXPLODED VIEW MAX-450 [R290]
APPROVAL	AL	23.09.19	DWG NUMBER	EV-MAX450-01
DWG STATUS	Conceptual Design			
VER NO	CHANGE NOTE	DATE	MODF. BY	
0.0	NEW DRAWING	23.09.19	AL	



S/N	DESCRIPTION
D1	LED / EVAP MOTOR PSU
D2	TERMINAL BLOCK
D3	THERMOSTAT
D4	THERMAL CIRCUIT BREAKER
D5	CONDENSER MOTOR PSU
D6	THERMOSTAT KNOB
D7	TAP
H	LIGHT SWITCH OPTION
H1	LIGHT SWITCH
H2	SILICONE RUBBER BACK COVER FOR SWITCH
I	COMPRESSOR SWITCH OPTION
I1	LIGHT SWITCH
I2	SILICONE RUBBER BACK COVER FOR SWITCH
K	RCCB OPTION





Ref.	Spare part code	Description	Notes
D3	9946110040	Thermostat Danfoss 077F1582 (ETC1H1)	
D1	9953870452	Transformer Alder v2 LED PSU 20W/24V	1 per cooler
D1	9953510050	PSU Meanwell LRS 35-24V 50/60Hz	
D4	9953190190	Thermal Circuit Breaker 6A,88- 88-06-P1BF3-PFANB	



Ref.	Spare part code	Description	Notes
N/A	9929640040	Back Grid Plus450, Grey RAL7004 D8U0150-00-01	
N/A	9949010010	Filter Dryer 15 gr xH9 R143a, packaged d450525-00-00_4	