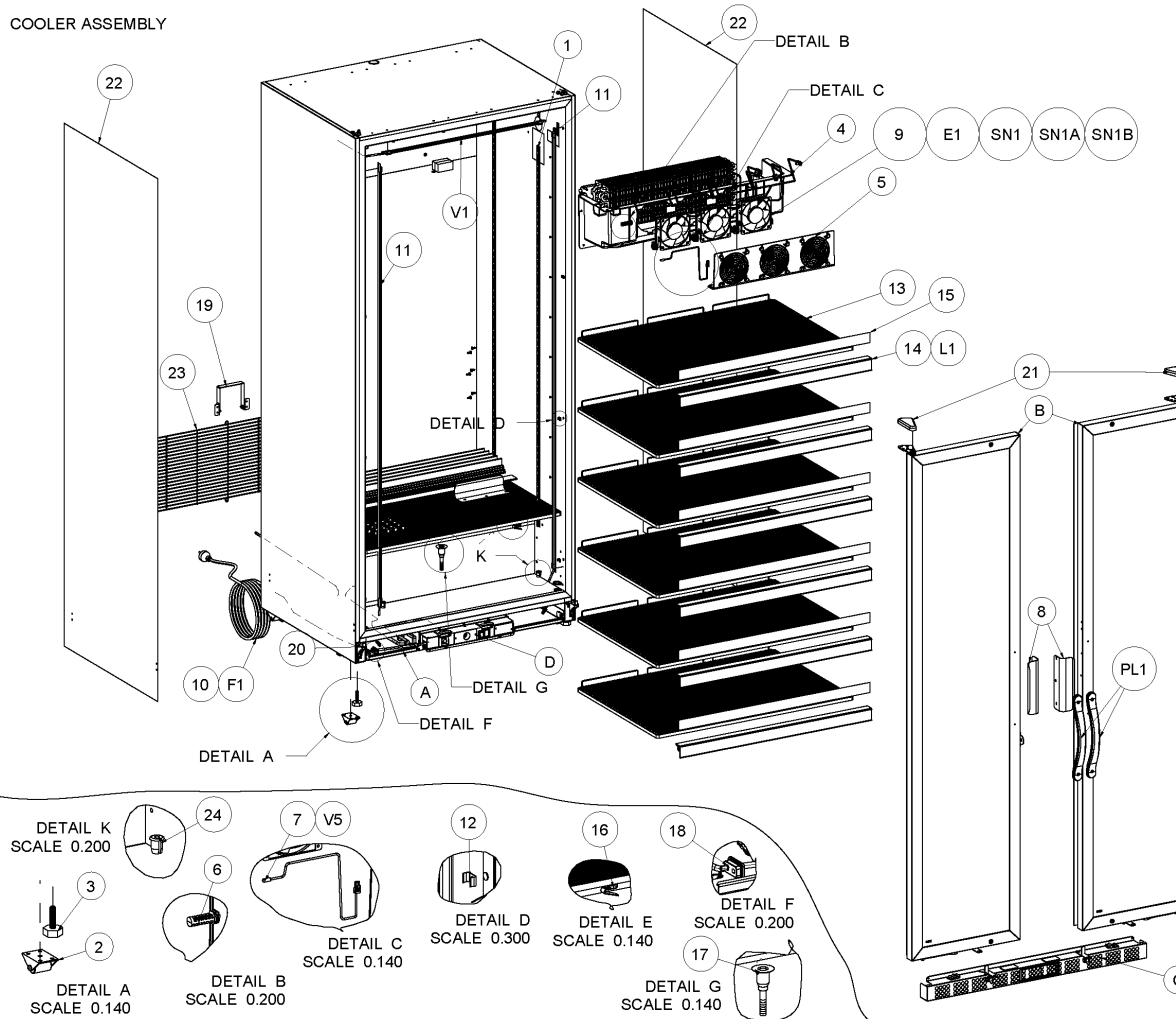




MAX-900 HD [R290]

COOLER ASSEMBLY



NAME	DATE	FRIGOGLASS	cool division
CREATED BY	MS 01.02.21	NA/IE	EXPLODED VIEW MAX-900 HD [R290]
APPROVAL	MS 01.02.21	DWG NUMBER	EV-MAX900HD-01
DWG STATUS	Conceptual Design		
VER NO	CHANGE NOTE	DATE	MODF. BY
0.6	FUSE FOR AC MOTORS REMOVED	01.03.22	MS

S/N	DESCRIPTION
1	PILLASTER
2	ROLLER
3	ADJUSTABLE FOOT
4	EVAPORATOR COVER
5	EVAP. FAN CASING DOOR
6	SENSOR BAY
7	AIR SENSOR
8	DOOR HANDLE
9	EVAPORATOR MOTOR
10	POWER CORD
11	LED ASSEMBLY 1600mm
12	LED CLIP
13	SHELF
14	FLEXIBLE PRICE PROFILE
15	PRICE STRIP
16	SHELF CLIP
17	DRAINAGE PLUG
18	BASE SUPPORT
19	BACK SPACER
20	BOTTOM HINGE
21	HINGE COVER
22	SIDE STICKER
23	BACK GRID
24	CABLE PASSAGE PLUG
A	COOLING BASE / COOLING MECHANISM
B	DOORS (LEFT / RIGHT)
C	FRONT GRID
D	ELECTRICAL PLATE
F	PRCD OPTION
F1	PRCD POWER CORD
L	PRICE PROFILE OPTION
L1	PRICE PROFILE
V	TOP LED OPTION
V1	LED ASSEMBLY 600mm
PH	PLASTIC HANDLE OPTION
PH1	ASSEMBLED PLASTIC HANDLE
E1	EVAPORATOR MOTOR NIDEK OPTION
SN1	EVAPORATOR MOTOR SUNON OPTION
SN1A	EVAPORATOR MOTOR REYNORD
SN1B	EVAPORATOR MOTOR NISIKI 20W

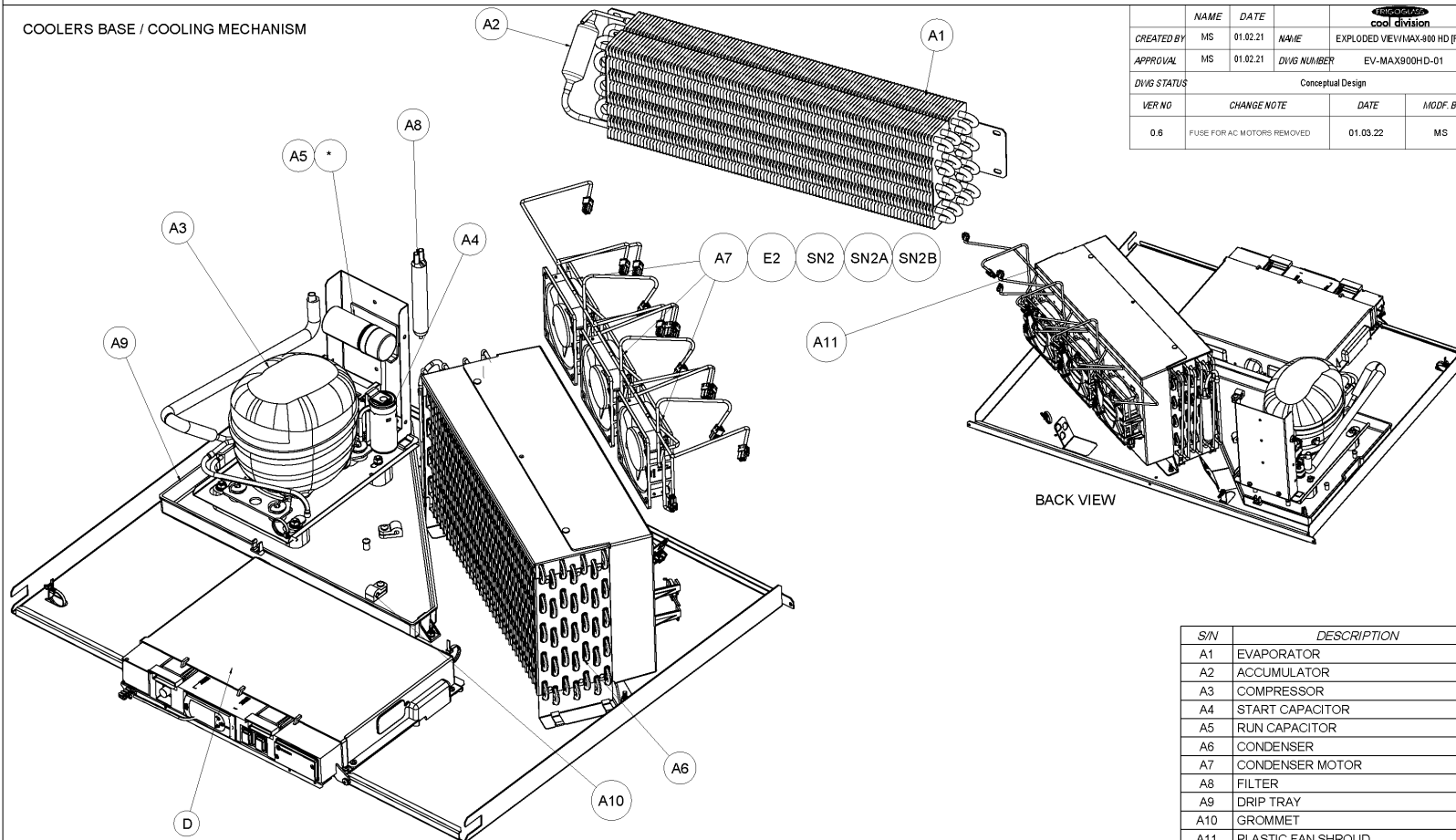


Ref.	Spare part code	Description	Notes
8	9908640080	Door Handle, Metal, Black D7L0145-00-01_6.3	
C	9928640130	Front Grid Max900HD, Black, For Switch & Danfoss Controller	
23	9929750050	Back Grid Plus900, Grey RAL7004 D9A0510-GR-01	
16	9926060026	Shelf Clip d580912-cr-02_6.1	
4	9924490200	Wheel Axle 50x8 mm 400038	
17	9948000050	Drainage Funnel Cabinet 87 mm, Internal, packaged D410310-00-01	
4	9968750020	Evaporator Cover Plus900, White D9A0509-00-01	
5	9965750010	Fan Cover Door 3 Motor D9A0512-00-01	
20	9906870020	Hinge, Cast hinge 2016, with screws (U=L) d650835-st-02	
21	9948000923	Upper Hinge Cover FV400, Grey RAL7004 D111005	
9, A7	9937080040	Fan Motor Nisiki EC Fan NIS12038HS2W-EC & Fuse 300mA 220/240V/50 Hz with AMP 177915-1*2 & Tyco 1-368575-1*1 IP66	
11	9974640010	LED Tube LRB1600-5.3K16-c-V2WCA2C8(SLC) with Tyco	
V1	9974640030	LRB LED BAR 600mm LD 12 SERIES LRB600-1.9K16-E-SC-C- Z1WCA2C8 with Tyco	
7	9979070020	Appliance sensor 0.8m for Carel HEC With Tyco 2005247-4	
6	9979640020	Sensor Bay Max Range, Plastic, White D8I0514-00-01	
3	9962080010	Adjusting Foot M10x40 D000104-00-02	
2	9951000016	Refrigerators roller, with rivets D000102-00-02_4.0	
F1	9971000050	Power Cable, Black, EU-plug, H05VV-F3G1 3,2 m Connector C13 Female	



MAX-900 HD [R290]

COOLERS BASE / COOLING MECHANISM



NAME	DATE	FRIGOGLASS cool division	
CREATED BY	MS 01.02.21	NA/IE	EXPLODED VIEW MAX-900 HD [R290]
APPROVAL	MS 01.02.21	DWG NUMBER	EV-MAX900HD-01
DWG STATUS	Conceptual Design		
VER NO	CHANGE NOTE	DATE	MODF. BY
0.6	FUSE FOR AC MOTORS REMOVED	01.03.22	MS

* AT SPECIFIC COMPRESSOR MODELS

S/N	DESCRIPTION
A1	EVAPORATOR
A2	ACCUMULATOR
A3	COMPRESSOR
A4	START CAPACITOR
A5	RUN CAPACITOR
A6	CONDENSER
A7	CONDENSER MOTOR
A8	FILTER
A9	DRIP TRAY
A10	GROMMET
A11	PLASTIC FAN SHROUD
D	ELECTRICAL PLATE
E2	CONDENSER MOTOR NIDEK OPTION
SN2	CONDENSER MOTOR SUNON OPTION
SN2A	CONDENSER MOTOR REXNORD
SN2B	CONDENSER MOTOR NISIKI 20W

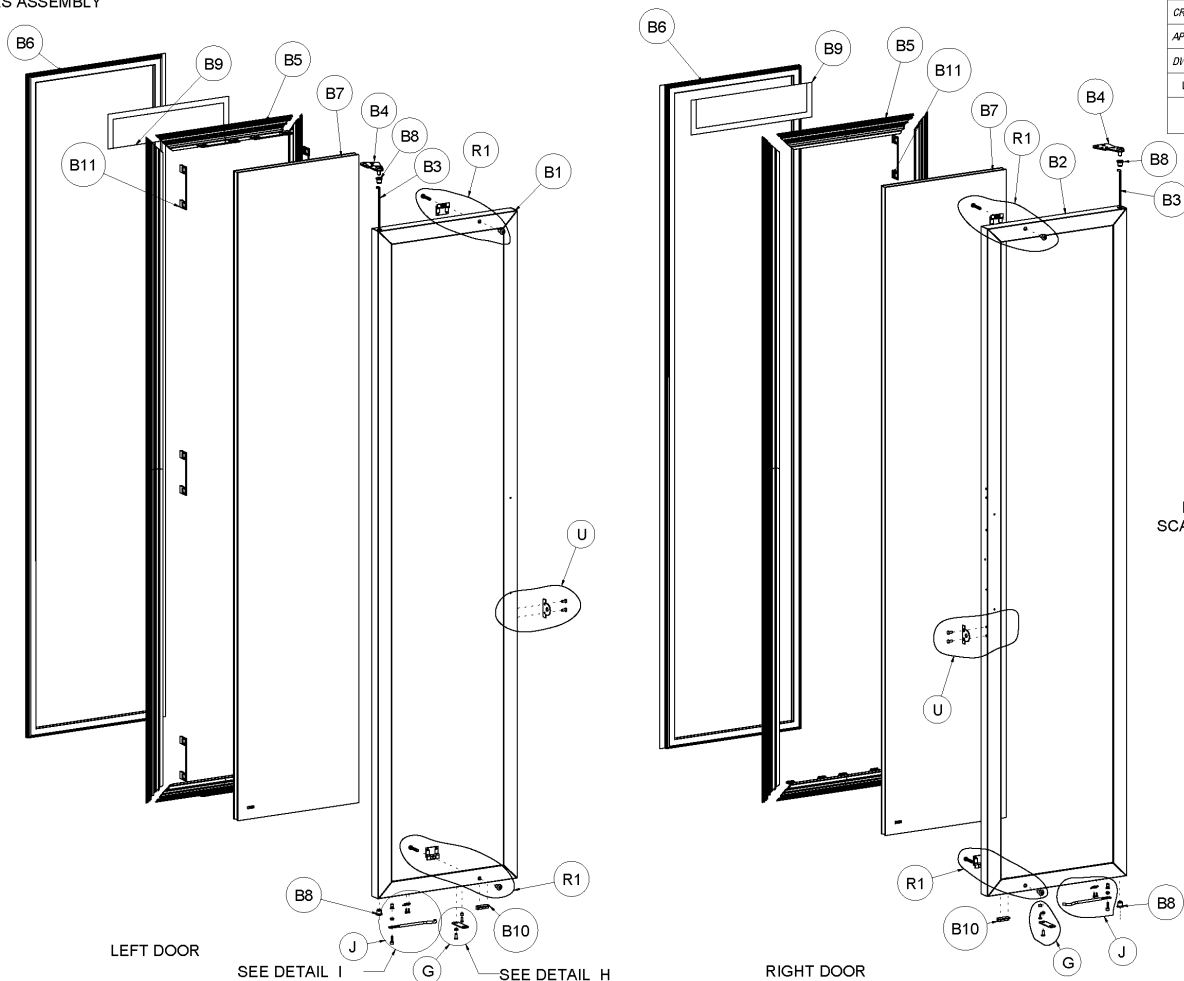


Ref.	Spare part code	Description	Notes
A6	9930750050	Condenser Plus900 R290 WOT D9A0501-00-01	
A11	9948750140	Condenser Motor Shroud Plus900 D9A0502-00-01	
A9	9932640020	Drip Tray, Plastic, White RAL9003 D8I0530-00-01	
A1	9931750060	Evaporator Plus900 F&T AL-AL D9A0500-00-01	
A3	9933530020	Compressor Embraco EM X6210U R290a	
A4	9936640070	Start Capacitor 64-77 MFD 70 F 330V "Y" 2252352	
9, A7	9937080040	Fan Motor Nisiki EC Fan NIS12038HS2W-EC & Fuse 300mA 220/240V/50 Hz with AMP 177915-1*2 & Tyco 1-368575-1*1 IP66	
A8	9949010010	Filter Dryer 15 gr xH9 R143a, packaged d450525-00-00_4	
A2	9955090010	Accumulator D30/110mm D5S0505-00-01	

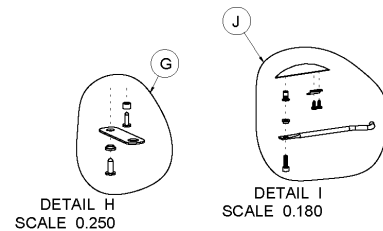


MAX-900 HD [R290]

DOORS ASSEMBLY



NAME	DATE	FRIGOGLASS cool division	
CREATED BY	MS 01.02.21	NA/IE	EXPLODED VIEW/MAX-900 HD [R290]
APPROVAL	MS 01.02.21	DWG NUMBER	EV-MAX900HD-01
DWG STATUS	Conceptual Design		
VER NO	CHANGE NOTE	DATE	MODF. BY
0.6	FUSE FOR AC MOTORS REMOVED	01.03.22	MS



S/N	DESCRIPTION
B1	DOOR FRAME ASSEMBLY LEFT DOOR
B2	DOOR FRAME ASSEMBLY RIGHT DOOR
B3	DOOR SPRING
B4	TOP HINGE
B5	BACK COVER
B6	MAGNETIC GASKET
B7	GLASS
B8	HINGE BEARING
B9	GLASS STICKER
B10	REED SWITCH
B11	GLASS SPACER
G	DOOR LOCK OPTION
J	DOOR HOLDER OPTION
R	EM. LOCK OPTION
R1	EM LOCK DOOR PARTS
U	LOCKING LATCH OPTION

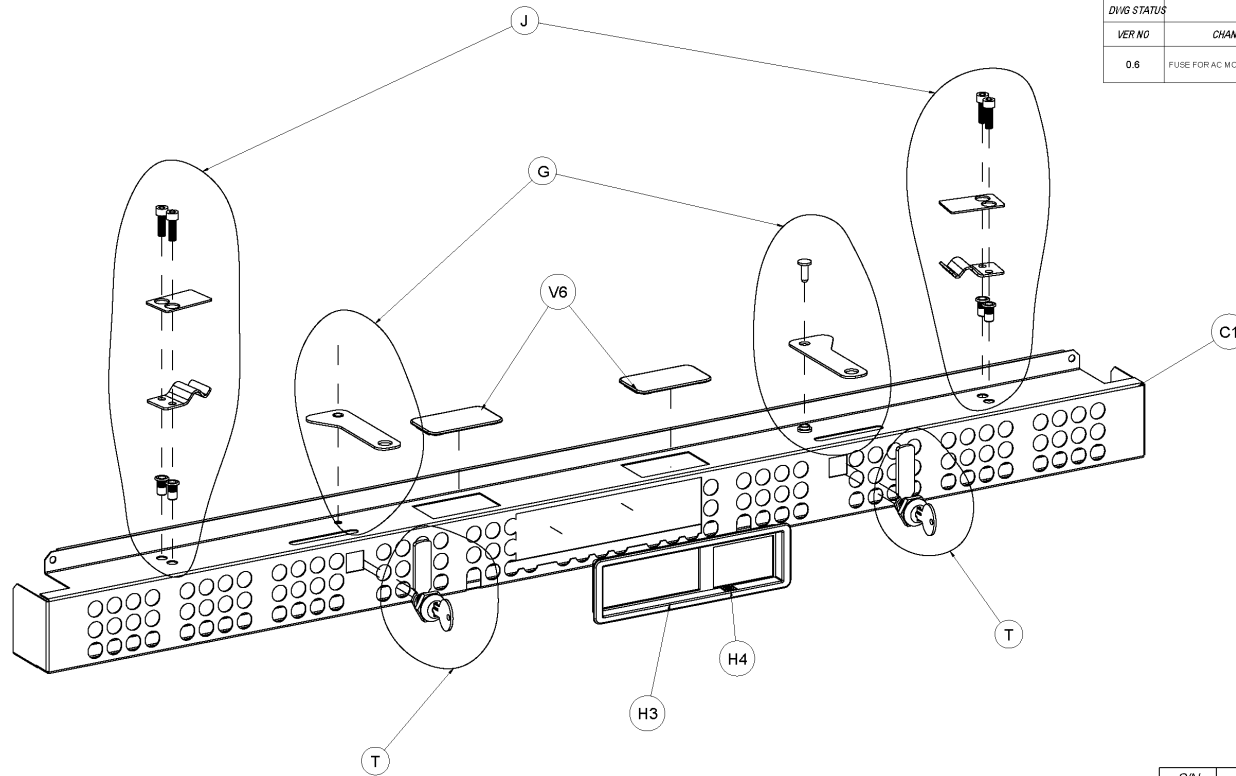


Ref.	Spare part code	Description	Notes
B2	9901640370	Door Plus/Max900HD, Right, Universal, Black 4T-16ARG-4L, No Handle	
B1	9901640380	Door Plus/Max900HD, Left, Universal, Black 4T-16ARG-4L, No Handle	
B5	9902750020	Door Back Cover, Black, 1.889,5 mm D5E0805-00-01	
B5	9902750030	Door Back Cover, Black, 432,5 mm D5E0805-00-01	
B7	9905640120	Glass Panel Max900HD 4T-16ARG-4L1839X382.5 D210810-IN-01	
B3	9913000010	Door Spring 1150 mm D410845-00-02	
B6	9904750080	Magnetic Gasket Plus900HD, Black 1882x441.5 D9A0875-00-01	
B4	9906040030	Hinge Upper FV400, Set D280004-00-02_2	
B8	9909062055	Hinge Bearing, Black D650867-00-01	
J	9947480232	Complete Door Holder Set V2, for the iCool-range, per door	



MAX-900 HD [R290]

FRONT GRID ASSEMBLY



NAME	DATE	FRIGOGLASS cool division	
CREATED BY	MS 01.02.21	NAME	EXPLODED VIEW MAX-900 HD [R290]
APPROVAL	MS 01.02.21	DWG NUMBER	EV-MAX900HD-01
DWG STATUS	Conceptual Design		
VER NO	CHANGE NOTE	DATE	MODF. BY
0.6	FUSE FOR AC MOTORS REMOVED	01.03.22	MS

S/N	DESCRIPTION
C1	FRONT GRID
C2	REED SWITCH PLASTIC TAPS
G	DOOR LOCK OPTION
J	DOOR HOLDER OPTION
H	LIGHT SWITCH OPTION
H3	FRONT GRID DISPLAY AREA
H4	LIGHT SWITCH STICKER
T	EYE LOCK OPTION

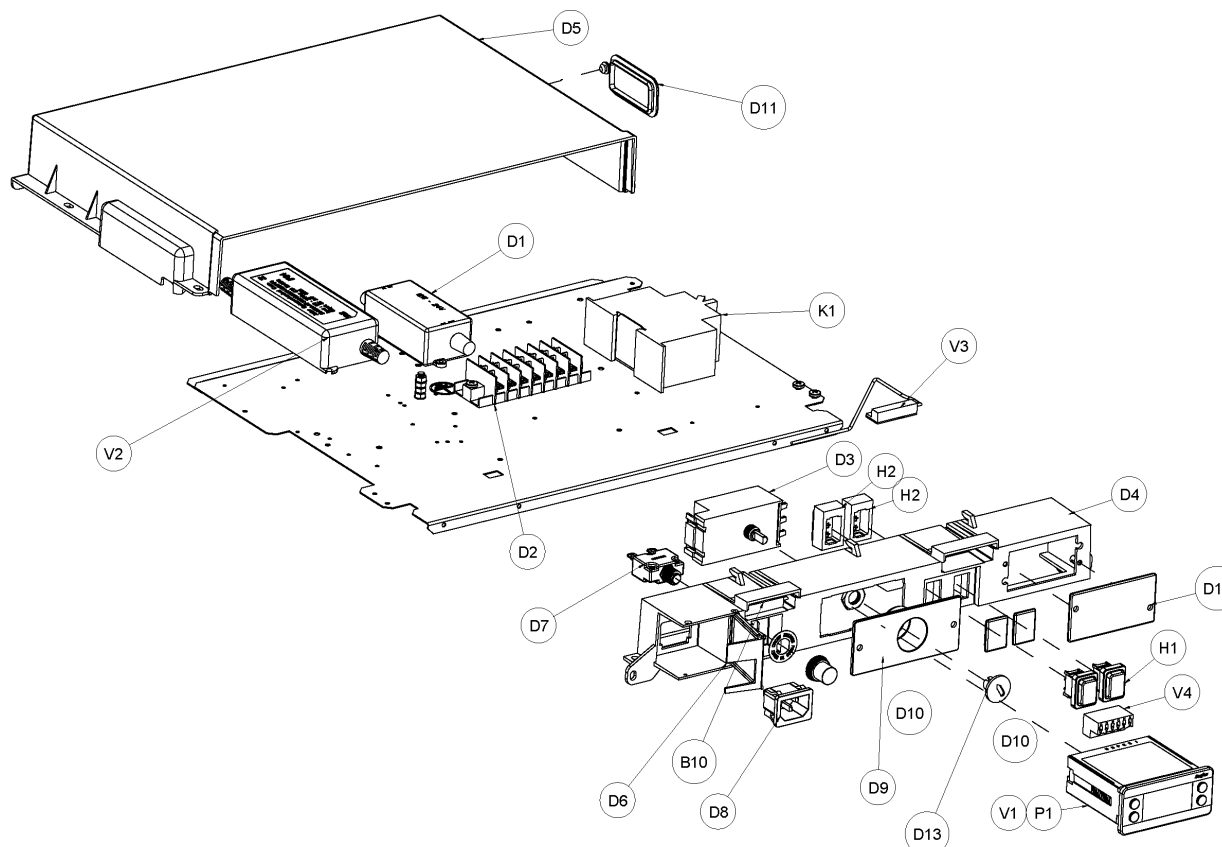


Ref.	Spare part code	Description	Notes
H3	9948750121	Display Cover Front Grid Max/Plus Black, Ral9005 D8I0430-00-01	
J	9947480232	Complete Door Holder Set V2, for the iCool-range, per door	



MAX-900 HD [R290]

ELECTRICAL PLATE ASSEMBLY WITH AC MOTOR



NAME	DATE	FRIGOGLASS cool division	
CREATED BY	MS 01.02.21	NAME EXPLODED VEVIMAX-900 HD [R290]	
APPROVAL	MS 01.02.21	DWG NUMBER EV-MAX900HD-01	
DWG STATUS Conceptual Design			
VER NO	CHANGE NOTE	DATE	MODF. BY
0.6	FUSE FOR AC MOTORS REMOVED	01.03.22	MS

S/N	DESCRIPTION
D1	PSU
D2	TERMINAL BLOCK
D3	THERMOSTAT
D4	ELECTRICAL PLATE FRONT PART
D5	ELECTRICAL PLATE COVER
D6	PLUG DOOR
D7	THERMAL CIRCUIT BRAKER
D8	POWER SOCKET
D9	THERMOSTAT COVER
D10	SWITCH ELASTIC TAP
D11	RCCB ELASTIC TAP
D12	FFXY COVER
D13	THERMOSTAT BUTTON
H	COMPRESSOR SWITCH / LIGHT SWITCH OPTION
H1	SWITCH
H2	SILICONE RUBBER GASKET FOR SWITCH
K	RCCB OPTION
K1	RCCB
V	CONTROLLER OPTIONOPTION
V1	CONTROLLER
V2	PSU
V3	REED SWITCH
V4	CONTROLLER TERMINAL BLOCK
	PROSA OPTION
P1	ERC CONTROLLER FOR PROSA

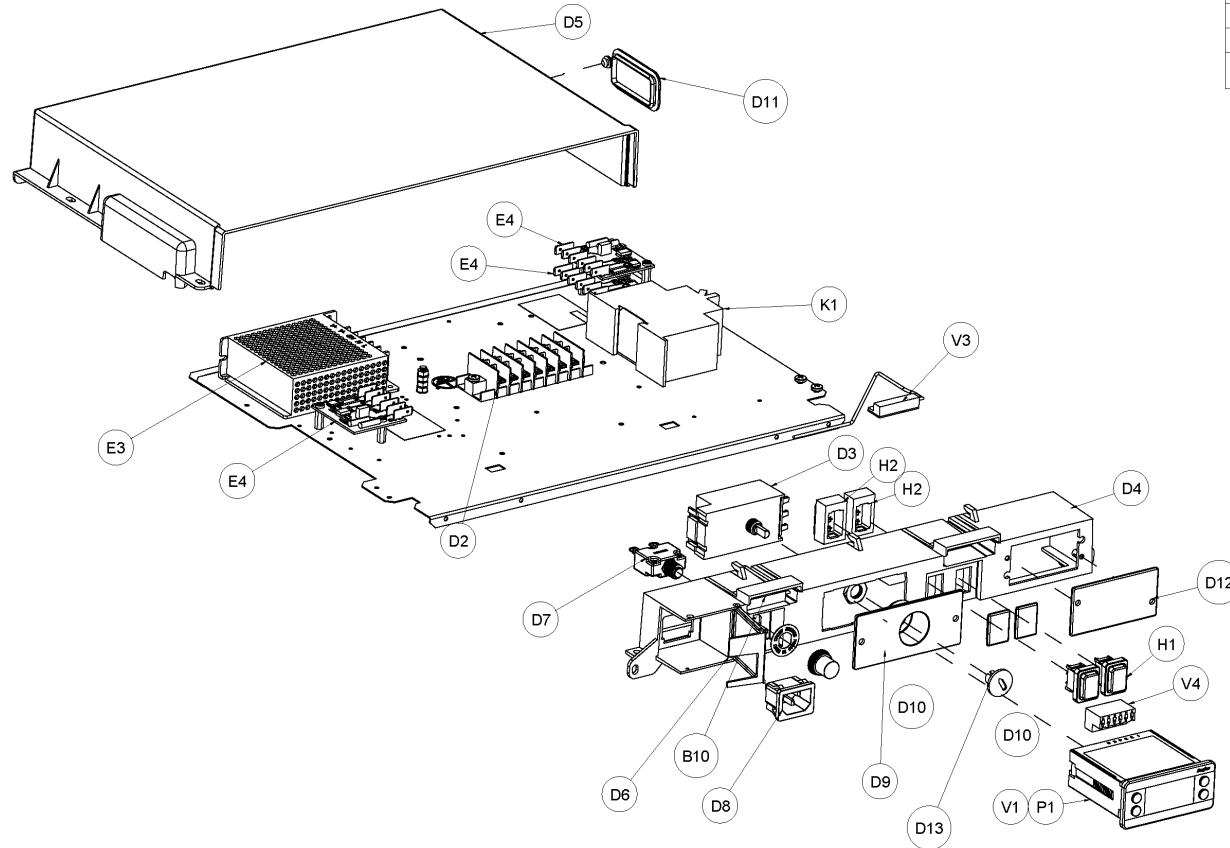


Ref.	Spare part code	Description	Notes
V1	9974640030	LRB LED BAR 600mm LD 12 SERIES LRB600-1.9K16-E-SC-C- Z1WCA2C8 with Tyco	
V2	9953870458	Transformer Alder v2 LED PSU 20W/24V with 4xStocko RSB 7960.020	
P1	9978000050	Controller Carel PYHB1R055S Factory Settings	
V3	9953080010	Reed Switch ACEE SD-8552B	
D5	9947380100	Electrical Plate Cover D8I0631-00-02	
D4	9961750030	Electrical Plate, Front Part D8I0630-00-02	
D7	9953190190	Thermal Circuit Breaker 6A,88- 88-06- P1BF3-PFANB	



MAX-900 HD [R290]

ELECTRICAL PLATE ASSEMBLY WITH DC MOTOR



NAME	DATE	FRIGOGLASS cool division	
CREATED BY	MS 01.02.21	NAME	EXPLODED VIE VIMAX-900 HD [R290]
APPROVAL	MS 01.02.21	DWG NUMBER	EV-MAX900HD-01
DWG STATUS	Conceptual Design		
VER NO	CHANGE NOTE	DATE	MODF. BY
0.6	FUSE FOR AC MOTORS REMOVED	01.03.22	MS

S/N	DESCRIPTION
D2	TERMINAL BLOCK
D3	THERMOSTAT
D4	ELECTRICAL PLATE FRONT PART
D5	ELECTRICAL PLATE COVER
D6	PLUG DOOR
D7	THERMAL CIRCUIT BRAKER
D8	POWER SOCKET
D9	THERMOSTAT COVER
D10	SWITCH ELASTIC TAP
D11	RCCB ELASTIC TAP
D12	FFXY COVER
D13	THERMOSTAT BUTTON
E3	PSU
E4	OPTOCOUPLER
H	COMPRESSOR SWITCH / LIGHT SWITCH OPTION
H1	SWITCH
H2	SILICONE RUBBER GASKET FOR SWITCH
K	RCCB OPTION
K1	RCCB
V	CONTROLLER OPTIONOPTION
V1	CONTROLLER
V3	REED SWITCH
V4	CONTROLLER TERMINAL BLOCK
	PROSA OPTION
P1	ERC CONTROLLER FOR PROSA

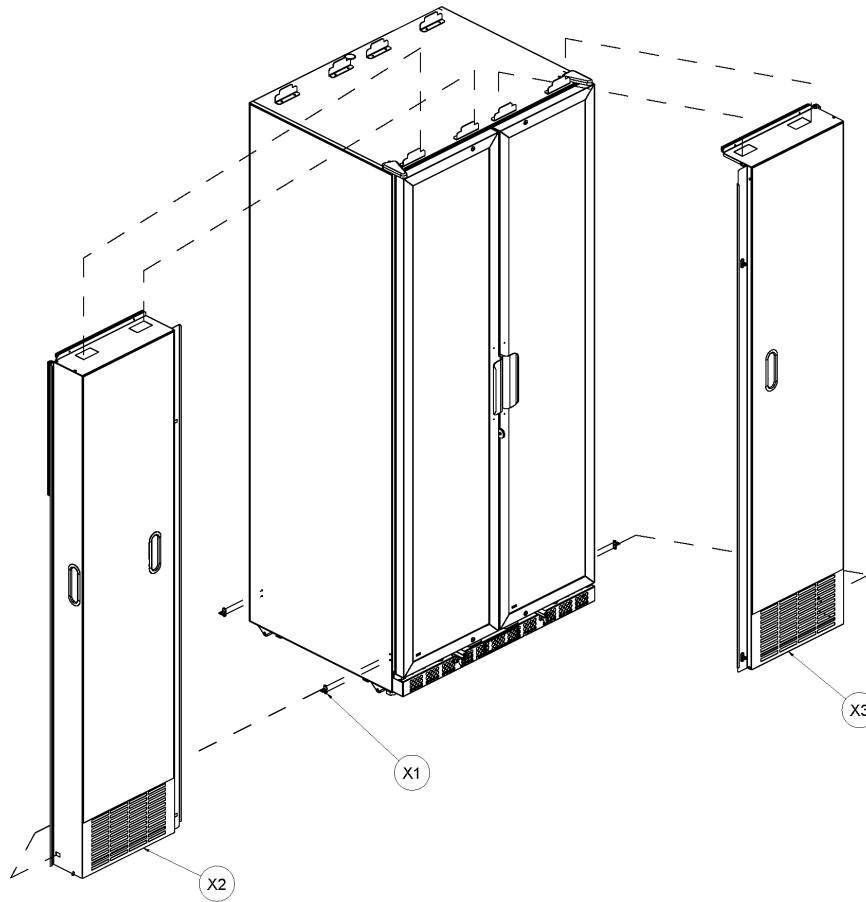


Ref.	Spare part code	Description	Notes
V1	9974640030	LRB LED BAR 600mm LD 12 SERIES LRB600-1.9K16-E-SC-C- Z1WCA2C8 with Tyco	
P1	9978000050	Controller Carel PYHB1R055S Factory Settings	
V3	9953080010	Reed Switch ACEE SD-8552B	
D5	9947380100	Electrical Plate Cover D8I0631-00-02	
D4	9961750030	Electrical Plate, Front Part D8I0630-00-02	
D7	9953190190	Thermal Circuit Breaker 6A,88- 88-06- P1BF3-PFANB	



MAX-900 HD [R290]

NIGHT COVER OPTION



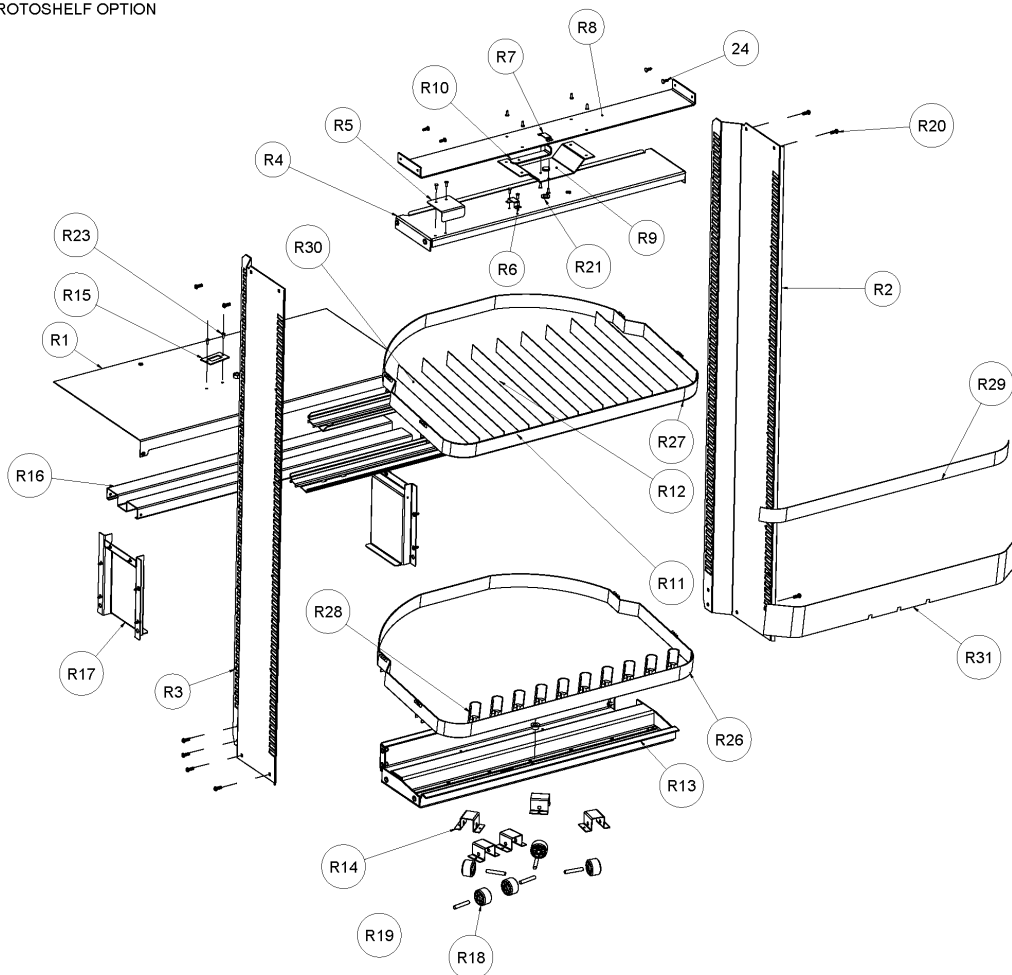
	NAME	DATE		FRIGOGLASS cool division
CREATED BY	MS	01.02.21	NAME	EXPLODED VIEW MAX-900 HD [R290]
APPROVAL	MS	01.02.21	DWG NUMBER	EV-MAX900HD-01
DWG STATUS	Conceptual Design			
VER NO	CHANGE NOTE	DATE	MODF. BY	
0.6	FUSE FOR AC MOTORS REMOVED	01.03.22	MS	

S/N	DESCRIPTION
X	NIGHT COVER OPTION
X1	LATCH MALE PART
X2	LEFT NIGHT COVER ASSY
X3	RIGHT NIGHT COVER ASSY



MAX-900 HD [R290]

ROTOSHELF OPTION



	NAME	DATE		
CREATED BY	MS	01.02.21	NAME	EXPLODED VIEW MAX-900 HD [R290]
APPROVAL	MS	01.02.21	DWG NUMBER	EV-MAX900HD-01
DWG STATUS	Conceptual Design			
VER NO	CHANGE NOTE	DATE	MODF. BY	
0.6	FUSE FOR AC MOTORS REMOVED	01.03.22	MS	

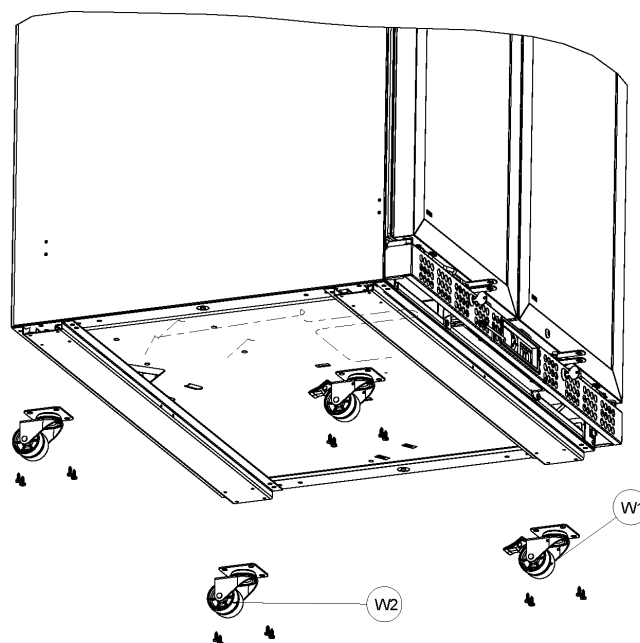
S/N	DESCRIPTION
R1	BOTTOM ROTOSHELF WELDING NUT MAX 900
R2	MAX - 900 RIGHT SIDE ROTO
R3	MAX - 900 LEFT SIDE ROTO
R4	ROTO MAX 900 TOP SIDE
R5	ROTOSHELF HANDLE
R6	SMART 900 TRANSPORT LOCK BRACKET
R7	SMART 900 TRANSPORT LOCK HOLDER
R8	PLUS 900 ROTO GUIDING BRACKET
R9	ROTO 900 GUIDING BRACKET WELDED NUT
R10	SMART 900 TRANSPORT LOCK ARM
R11	SHELF BRACKET ROTOSHELF 90 FRONT
R12	SHELF BRACKET ROTOSHELF 90 BACK
R13	ROTO BASE ASSEMBLY PLUS 900
R14	MAX900 ROTO WHEEL SUPORT
R15	PLUS 900 ROTO WHEEL STOPPER
R16	PLUS 900 BOTTOM FIXING REINFORCEMENT
R17	PLUS 900 BOTTOM FIXING SUPORT BRACKET
R18	Wheel Roto Ø 40mm
R19	Wheel axle 50 x 8mm
R20	SCREW HEX SOCKET BUTTON HEAD M6X16 DIN 7380-1
R21	Slide bearing in Ø10mm out Ø 16mm
R23	Rivets 4,0 x 10mm Steel/Steel
R24	PH CROSS REC FLANGE BLK 3.9x16 DIN 968
R26	BEVERAGE 90 SHELF
R27	Universal Shelf 90
R28	Front Stop Beverage
R29	PlastLabel RS90f11 747x37x0.75
R30	Divider EasyFill Uni 90_70
R31	FrontStop Universal 90



MAX-900 HD [R290]

CASTOR WHEELS OPTION

	NAME	DATE		FRIGOGLASS cool division
CREATED BY	MS	01.02.21	NAME	EXPLODED VIEW MAX-900 HD [R290]
APPROVAL	MS	01.02.21	DWG NUMBER	EV-MAX900HD-01
DWG STATUS	Conceptual Design			
VER NO	CHANGE NOTE	DATE	MODF. BY	
0.6	FUSE FOR AC MOTORS REMOVED	01.03.22	MS	



S/N	DESCRIPTION
W	CASTOR WHEELS OPTION
W1	CASTOR WHEEL WITH BREAK
W2	CASTOR WHEELS WITHOUT BRAKE



Ref.	Spare part code	Description	Notes
N/A	9948080010	Spring Nest iCool D770854-00-01_2	
N/A	9924750010	Complete KIT, Roto Shelves 5 Beverage 0,5 L PET Plus900	Please check Options Catalogue
N/A	9924750030	Rotoshelf Plus900 Bottom Cooler Assy White Internal A9A0900-RT-01	Please check Options Catalogue
N/A	9924490080	Rotoshelf Smart900 Right Side White Internal 400455	Please check Options Catalogue
N/A	9924490090	Rotoshelf Smart900 Left Side White Internal 400456	Please check Options Catalogue
N/A	9924750020	Rotoshelf Plus900 Guiding Bracket White Internal D9A0909-RT-01	Please check Options Catalogue
N/A	9924490110	Rotoshelf Smart900 Reinforcement Guiding Bracket White Internal 400458	Please check Options Catalogue
N/A	9924490120	Rotoshelf Smart900 Transport Lock Arm White Internal 400459	Please check Options Catalogue
N/A	9924490130	Rotoshelf Smart900 Transport Lock Bracket White Internal 400460	Please check Options Catalogue
N/A	9924490140	Rotoshelf Smart900 Transport Lock Holder White Internal 400461	Please check Options Catalogue
N/A	9924490160	Rotoshelf Smart900 Wheel Bracket White Internal 400346	Please check Options Catalogue
N/A	9924490170	Rotoshelf Handle V2 White Internal Smart900 400463	Please check Options Catalogue
N/A	9924490180	Rotoshelf Stop Bracket White Internal 400442	Please check Options Catalogue
N/A	9959490050	Shelf Bracket Rotoshelf 90 Back Smart900 400453	Please check Options Catalogue
N/A	9924280490	Wheel 40mm Rotoshelf	Please check Options Catalogue
N/A	9909510010	Rotoshelf Slide Bearing Internal D10 External D16 400325	Please check Options Catalogue
N/A	9921490030	Strip Profile RotoShelf 90F11 747x37x0.75 mm	Please check Options Catalogue
N/A	9924490210	Decal Rotoshelf Easyfill 400364	Please check Options Catalogue
N/A	9923490010	Plastic Stopper Beverage Shelf 400333 for Rotoshelf	Please check Options Catalogue
N/A	9923490010	Plastic Stopper Beverage Shelf 400333 for Rotoshelf	Please check Options Catalogue
N/A	9952400010	Tube fastener AR53760 6/6mm	
N/A	9960000040	Drainage Tube D9.5/14.5 RA9003 ShA74 2,75 m	
N/A	9958220010	Fan Grid MV 250 D1E0301-00-01	



Ref.	Spare part code	Description	Notes
N/A	9909380010	Open/Close Bushes PGSA-2529A	
N/A	9934640050	Relay MTRPH-0027-65 (faston) 2334123	
N/A	9935750010	Overload for Embraco EM X6210U 4TM757KFBYY-153	
N/A	9953750100	Fuse 500mA, and Fuse Holder, for Evaporator Motors	
N/A	9953750110	Fuse 500mA, and Fuse Holder, for Condenser Motors	
N/A	9953750120	Fuse 500mA, Fast act,HBC, 20x5	
N/A	9953750130	In-Line Fuse Holder 5x20 Fuse	
N/A	9960480010	Drainage Tube 10.5/15.5mm length 2, 2 m	