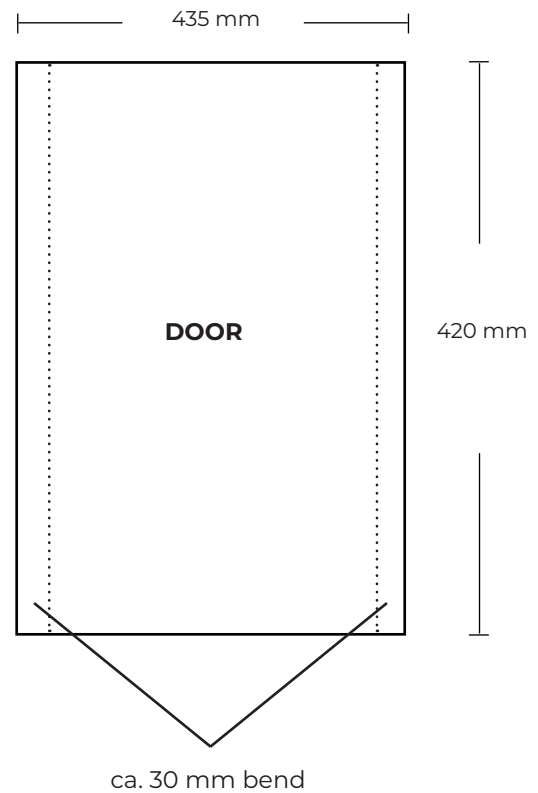
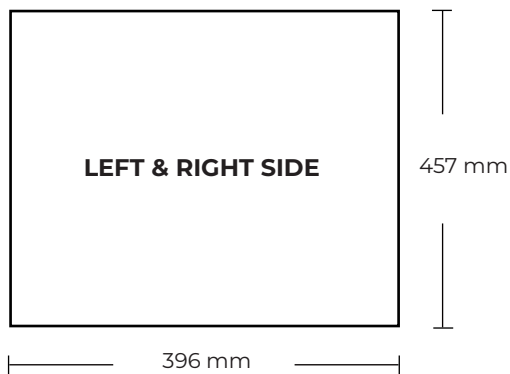


# MB 32 BGD

---



---

**FILESPECIFICATIONS:**  
**PRINT READY PDF FILE MADE IN SCALE 1:1.**  
**MIN. 100 DPI.**  
**INCL.: 10 MM BLEED AND CROPSMARKS**